



G04Z03NDDC-NFS

Article-No.: 43251

F1.2/4.5-12.5mm DC
Lens/variable Focal Length, No
Focus Shift, 1/2" CS Mount

Mainfeatures

Suitable for 1/2" and 1/3" colour and b&w cameras
Variable focal length
CS mount
Without built-in auto iris amplifier

No-focus-shift from visible to near IR light range
Aspherical lens elements
High standard of optical and mechanical quality
With 4 pin connector

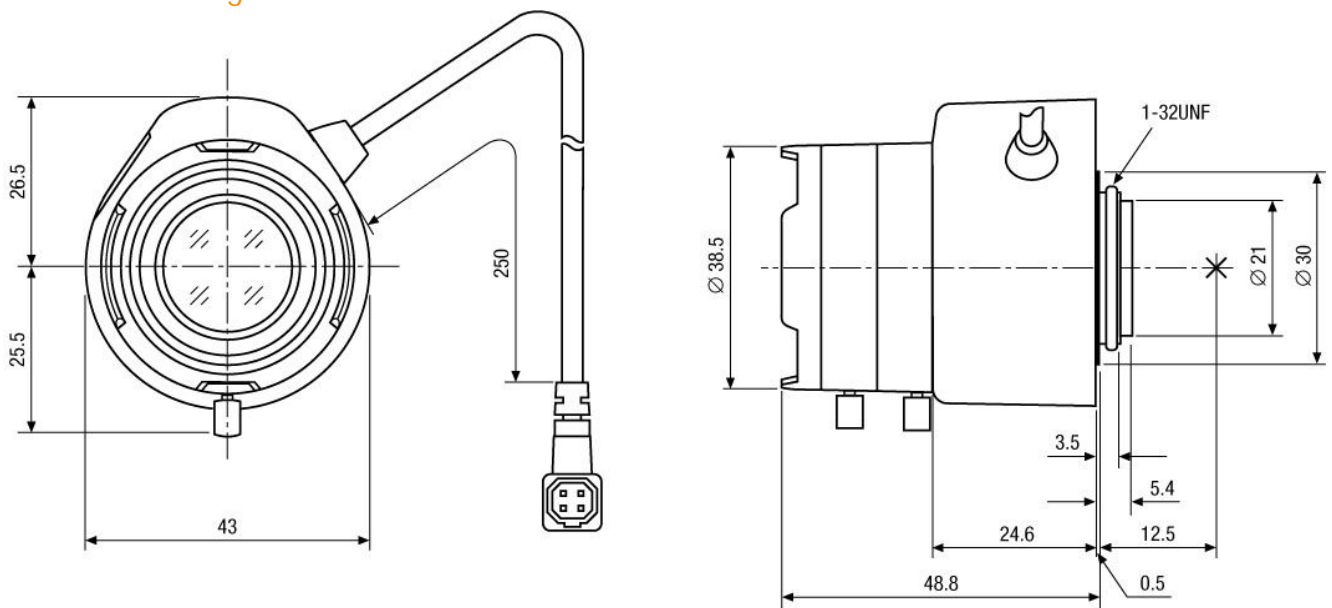
Specifications

Lens type	varifocal
Application range	day/night
Day/Night	yes
Megapixel	no
Aspherical technology	yes
Nominal format size	1/2"
Flange focal length	12.5mm
Mount	CS
Slip-ring mount	340° ~ 360° Variable adjustment range
Focal length	4,5 mm - 12,5 mm
Horizontal angle of view	83,7° - 30,1°
MOD (Minimum object distance)	0,3 m
Aperture range (F)	F1.2-F260
Iris control	DC
Focus constant range	+0.04mm at f4.5; +0.05mm at f8; +0.035mm at f12.5mm (Focus deviation at switch-over to IR light at 850nm)
Screw-in depth	5.4mm
Filter screw size	not available

Specifications (continued)

Cable length	approx. 25cm
4-pin plug	Standard
Temperature range (operation)	-20°C ~ +50°C
Length	48,8 mm
Diameter	43 mm
Radius	26,5 mm
Weight	68g

Technical Drawing



Maße/Dimensions: mm

Your partner for eneo products:

