



WD-12/E

Article-No.: 70230

Wall Mount with Ball Joint, extendable,
1/4" Camera Fixing Screw, RAL7032

Mainfeatures

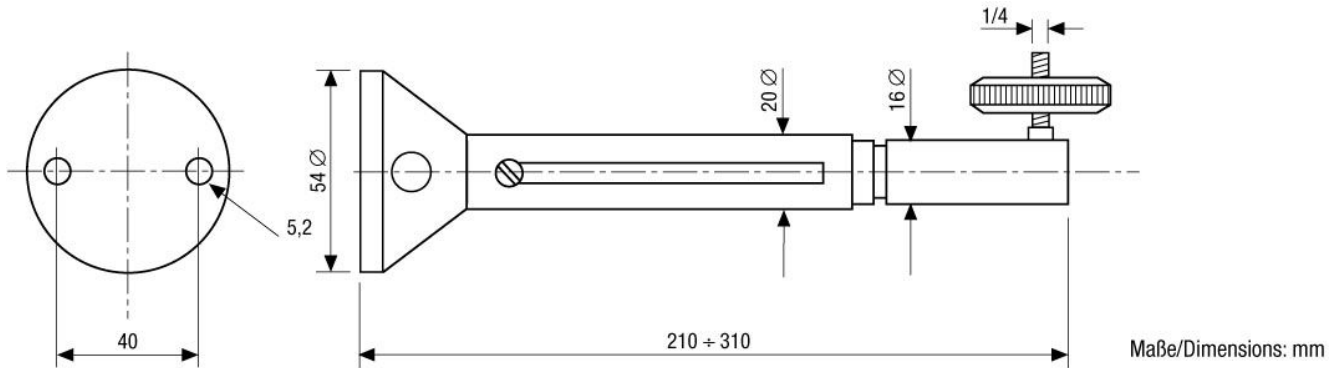
For Wall- and Ceiling Mounting
Rugged Aluminium Construction

Adjustable Camera Mounting Position
Adjustable Ball-point Head

Specifications

Mounting distance range from fixing point	210 ~ 310mm
Load capacity	500g
Camera mount	1/4" - 20 UNC thread
Material	Aluminium
Colour	RAL7032
Weight	220g

Technical Drawing



Your partner for eneo products:

