



VT-PS12DC-9

Article-No.: 70536

Plug-in Power Supply Unit 100-240VAC
12VDC (1.0Amp), Regulated, w. open Ends

Mainfeatures

Input Voltage: 100-240VAC
1.8m Secondary Cable with Open Ends

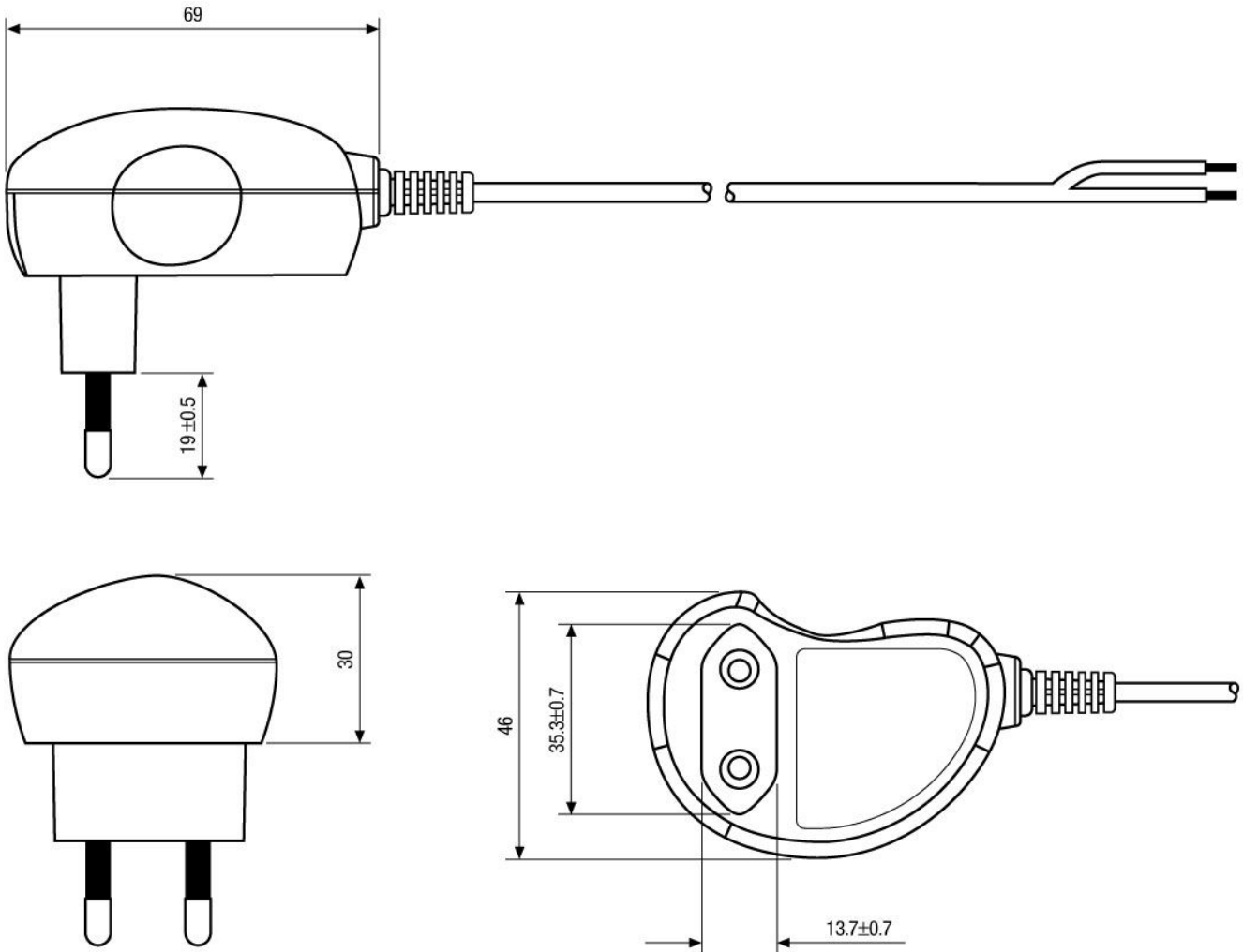
Output: 12VDC/1A
Plastic Housing

Specifications

Certificates

CE

Technical Drawing



Maße/Dimensions: mm



Your partner for eneo products:

