



WD-18

Article-No.: 70688

Wall Mount with Ball Joint,
1/4" Camera Fixing Screw, Beige Grey

Mainfeatures

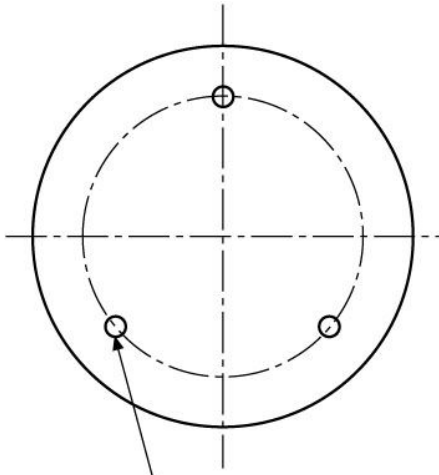
For Wall- and Ceiling Mounting
Adjustable Ball-point Head

Rugged Plastic Construction
Ready for Installation

Specifications

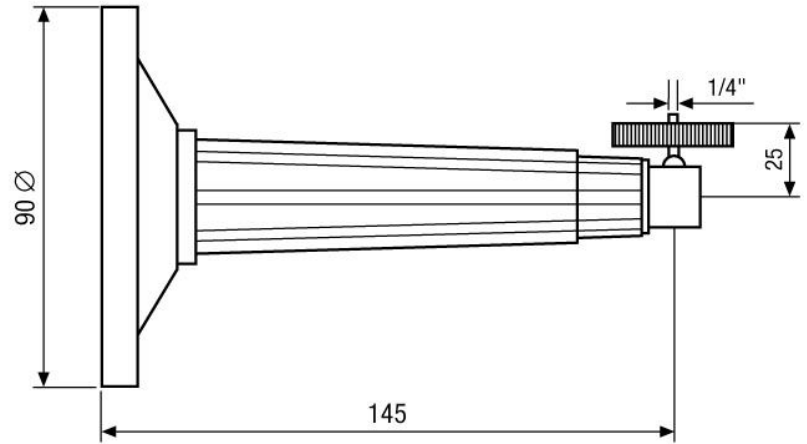
Mounting distance from fixing point	145 (Wall) / 165 (Ceiling) mm
Load capacity	500g
Camera mount	1/4" - 20 UNC thread
Material	Plastic (ABS)
Colour	Beige
Weight	150g

Technical Drawing



3 Bohrungen: 5 mm
auf Lochkreis: 70 mm

3 Holes: 5 mm
on P.C.D.: 70 mm



Maße/Dimensions: mm

Your partner for eneo products:

