



WD-23

Article-No.: 70771

Wall Mount Bracket with Ball Joint,
1/4" Camera Fixing Screw, Pantone 877

Mainfeatures

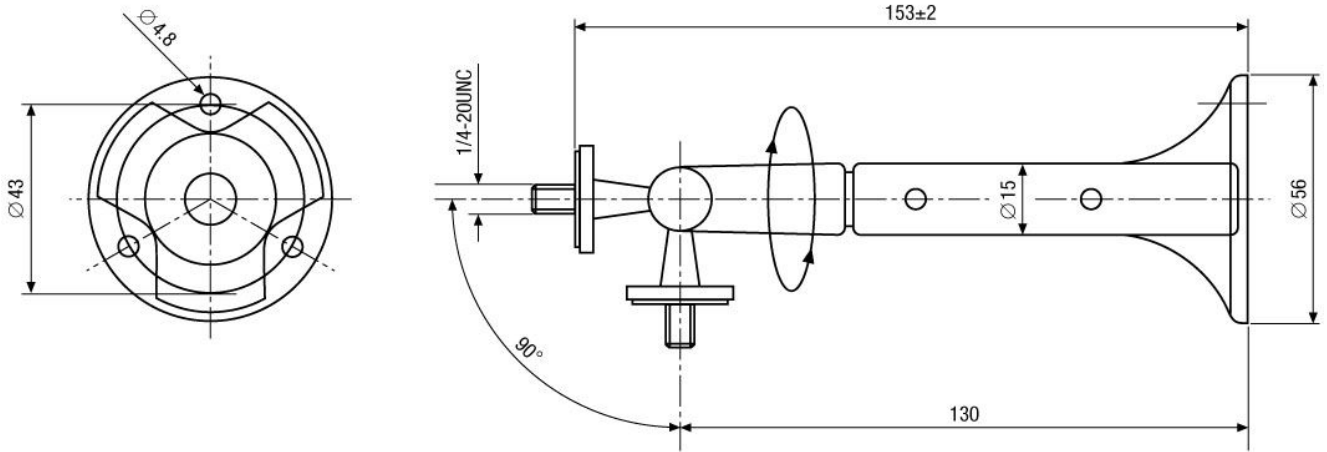
For wall and ceiling mounting
Adjustable ball-point head

Rugged aluminium construction
Ready for installation

Specifications

Mounting distance from fixing point	130 (Wall) / 155 (Ceiling) mm
Load capacity	500g
Camera mount	1/4" - 20 UNC thread
Material	Aluminium
Colour	Pantone 877
Dimensions (HxWxD)	See drawing
Weight	approx. 80g
Parts supplied	3x 3.5x20mm self-tapping screws

Technical Drawing



Maße/Dimensions: mm

Your partner for eneo products:

