



WD-24

Article-No.: 70772

Wall Mount with adjustable
Swivel Head, 1/4" Camera
Fixing Screw, Black Finish

Main features

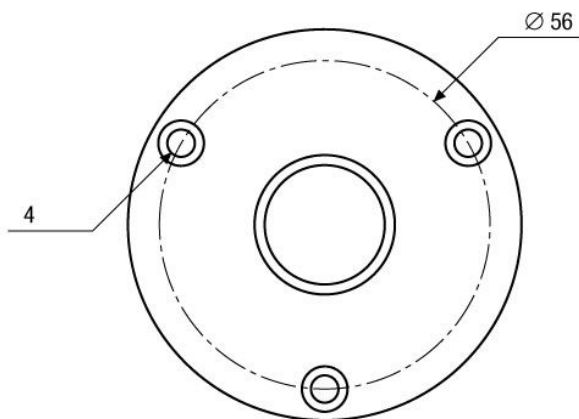
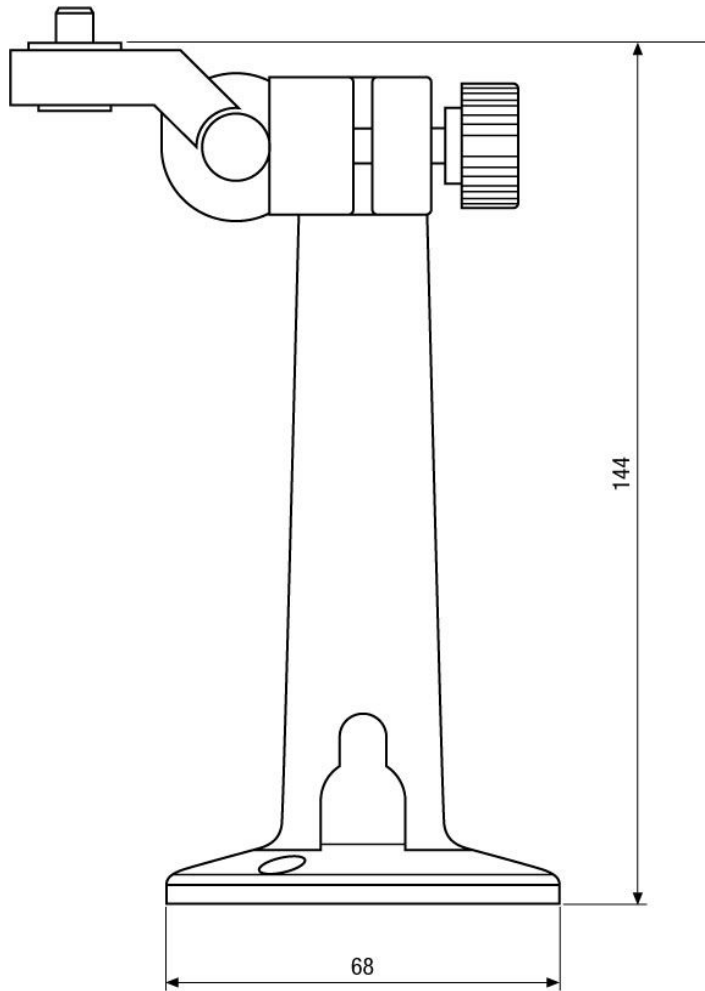
For wall and ceiling mounting
Adjustable ball-point head

Rugged construction
Cable leading through the wall mount plate

Specifications

Mounting distance from fixing point to ceiling	115mm
Mounting distance from fixing point to wall	110/155mm
Tilt range	0 ~ -90°
Load capacity	1.5kg max.
Camera mount	1/4" - 20 UNC thread
Material	Aluminium/Plastic
Colour	black
Dimensions (HxWxD)	see drawing
Weight	Approx. 90g
Parts supplied	3x 3.5x20mm self-tapping screws

Technical Drawing



Maße/Dimensions: mm



Your partner for eneo products:

