



VKCD-1410

Article-No.: 74137

1/4" Dome, Fixed, Day&Night,
clear, 22x, 480TVL,
12VDC/24VAC

Mainfeatures

Vandal Resistant, Rugged and High Impact Enclosure
For Wall and Ceiling Surface Mount
High Resolution Color/BW Camera with Super HAD CCD
Zoom Lens F1.6/3.9-85.8mm
Digital Noise Reduction (DNR)
Enhance Dynamic Range (WDR/EDR)

Clear Lexan Bubble, 110mm
Manual 3-axis Camera Adjustment
Integral 22x AF Zoom Lens / 11x Digital Zoom
Digital Image Stabilization (DIS)
High and Low Speed Shutter Control (ESC/MES/DSS)
RS-232/RS-485 Serial and Voltage Control Interface

Specifications

System	day&night
Video standard	CCIR/PAL
Sensor size	1/4"
Imager	CCD
Imager	Sony Super HAD Interline Transfer
Active picture elements	440,000, 752(H) x 582(V)
Horizontal resolution	480 TVL
Synchronization	Internal/AC line lock
Signal-to-noise ratio	52db (AGC OFF)
Sensitivity (at 50% video signal)	0,45 Lux
Sensitivity (at 50% video signal)	(colour), 0.24Lux (B&W) at F1.2 (measured)
Automatic gain control (AGC)	30dB (On/Off switchable)
Exposure modes	automatic or manual mode: Iris, Shutter and AGC. Automatic mode: Iris priority, Shutter priority
Low speed shutter	yes
Low speed shutter	1/30sec. ~ 1sec. (to 2, 4, 8, 16, 32 and 60 Fps. selectable)





Specifications (continued)

Digital Noise Reduction (DNR)	yes
Backlight compensation	BLC
Backlight compensation	ON/OFF switchable with adjustable field size
Wide Dynamic Range (WDR)	no
White balance	automatic (AWB) selectable for indoor and outdoor, or manual. Wide range auto mode (WAWB, 1800-10500K)
Aperture Correction (APC)	horizontal and vertical
Flickerless function	yes
IR cut filter	switchable
Menu languages	English
OSD function control	D&N, AGC, BLC, AWB, Iris, MOD, PIP, Freeze, Digital zoom, Digital noise reduction (DNR) ON/OFF. Mirror, Enhanced Dynamic Range (WDR/EDR) and Shutter mode title, camera ID and status
Text display	
Activity detection	no
Digital zoom	11x
Lens type	zoom
Focal length	3,9 mm - 85,8 mm
Horizontal angle of view	50° - 2,46°
MOD (Minimum object distance)	1,0 m
External adjustments	Menu: ON/OFF Focus near/far Lens T/W LL phase (for AC models only)
Video outputs	composite (CVBS)
Alarm inputs	no
Alarm outputs	no
e-PTZ support	no
Rotation range	359°
Illumination	no
External connections	Video (BNC), Power input, Serial interface socket
Serial interfaces	RS-232, RS-485
Housing	outdoor
Housing material	aluminium
Bubble	4.3" (110mm), Acryl/clear
Colour (bubble)	clear
Colour (housing)	Pantone Cool Gray 1C
Heater	no
Mounting	ceiling mount, wall mount
Supply voltage	12VDC, 24VAC
Power consumption	6.0W
Temperature range (operation)	-10°C ~ +50°C
Protection rating	IP66
Vandalism resistant	yes
Weight	1.1kg
Certificates	CE

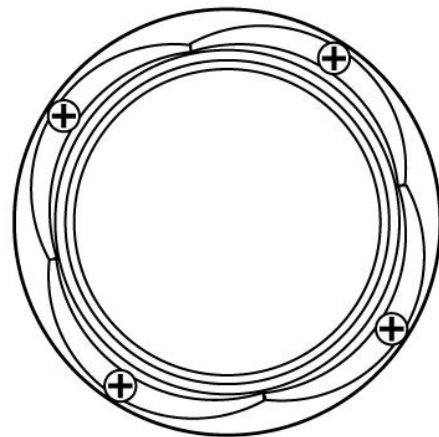
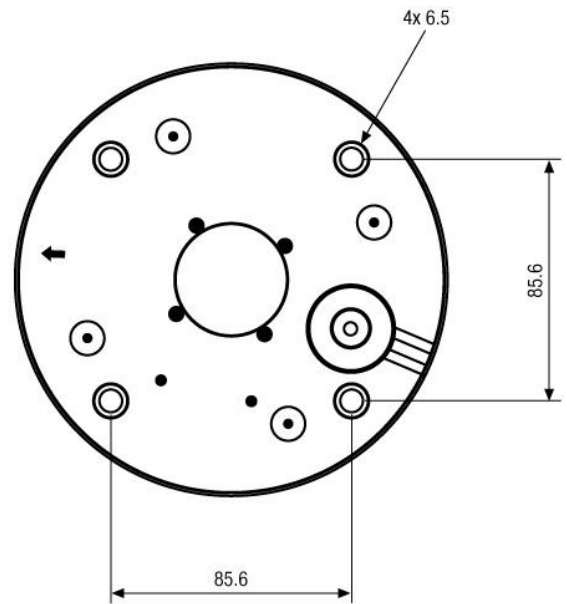
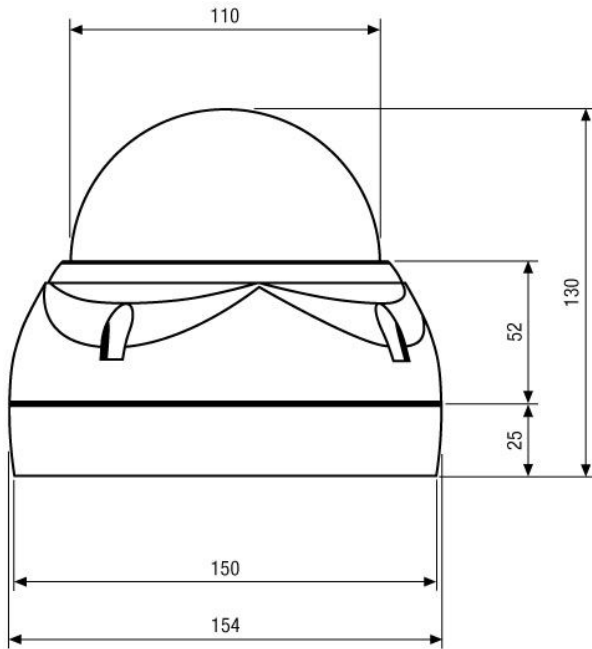
Optional Accessories

Image	Artikel-Nr. / Typ	Description
	EDMC/CWB-1	Wall or Pendant Mount Kit f. Dome Camera Series EDMC, NTD, NLD, NXD & VKCD-1375
	NE-128	Voltage supply unit 230V/24VAC-5A, IP66
	EDC-KBDM-3	System Keyboard w. Joystick, 5" Monitor 12VDC, Fastrax Protocol
	EDC-KBD1	System Keyboard with 3-axis Joystick, 12VDC
	EDC-CR1	Converter RS-232/RS-485, Repeater RS-485
	EDC-COAX	Coax Telemetry Board for VPT-501/601, EDC/EDMC Series assembled
	FASTRAX_CONFIG	Configuration Software for Eneo Fastrax, Minitrax Dome Cameras and VKC-1416

Optional Accessories (continued)

Image	Artikel-Nr. / Typ	Description
	EDMC/H12	Low Voltage Heater Kit 12V/10W for Minitrax Series, NLD-1401, NXD-130x/140x
	EDMC/H24	Low Voltage Heater Kit 24V/10W for EDMC-142, VKCD-1410, NLD-1401, NXD-130x/140x
	VKCD-1410/KB	Remote Controller for VKCD-1410, VKC-1416(A/B) and NTC-4101
	VT-PS12DC-9	Plug-in Power Supply Unit 100-240VAC 12VDC (1.0Amp), Regulated, w. open Ends

Technical Drawing



Maße/Dimensions: mm

Your partner for eneo products:

