



VMC-LCD/WCMB-1

Article-No.: 90394

Wall/Ceiling Bracket for LCD
Monitors 15"/17"/19"
P/CP/CM/HPC/HMC1 Series

Mainfeatures

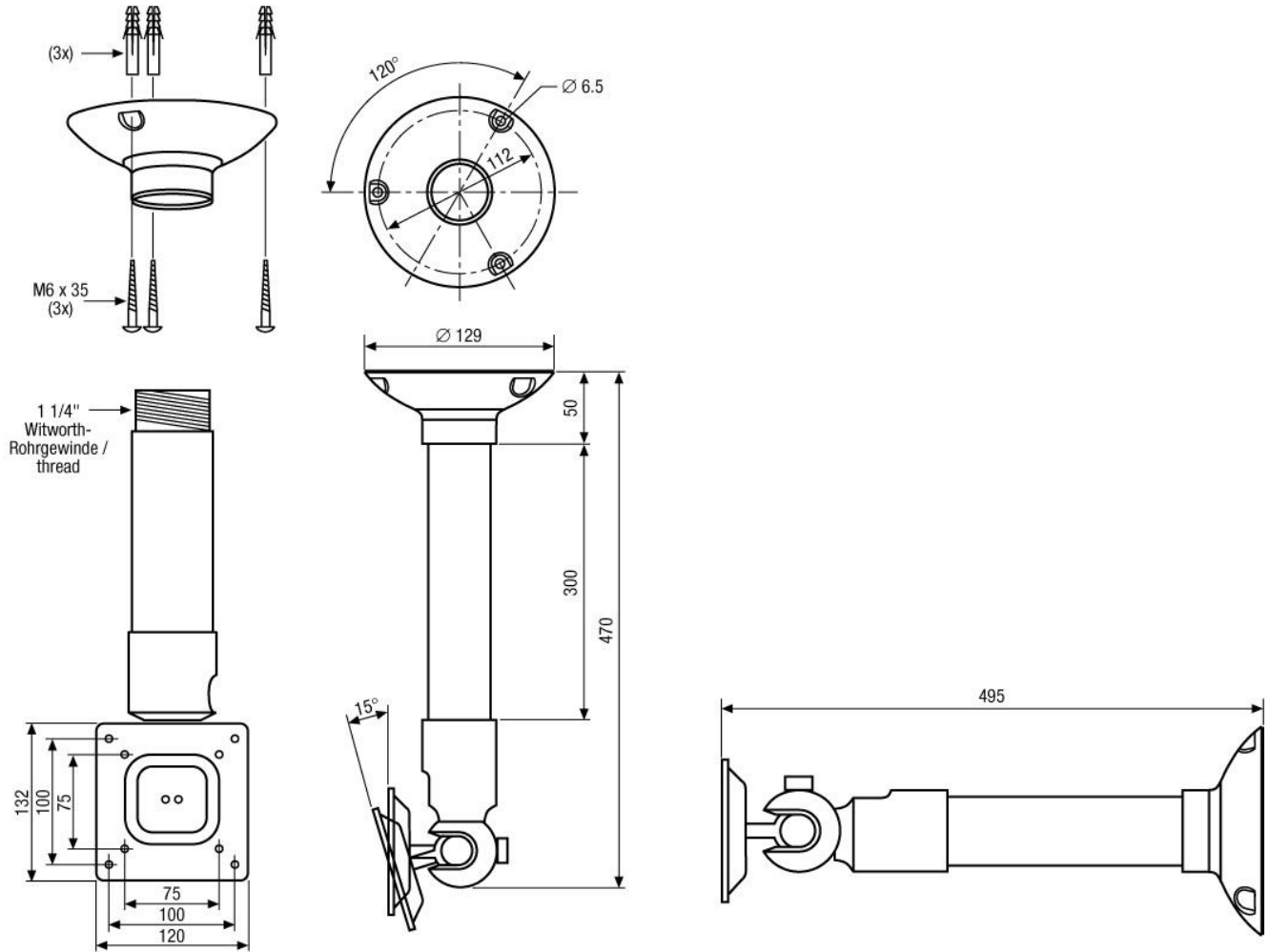
For wall/ceiling mount of LCD monitors 15" to 19"
Swivel head with large adjustment range

Rugged aluminium construction
Ready for installation

Specifications

Dimensions (HxWxD)	see drawing
Turning range of the swivel head	180°
Colour	black
Weight	2.0kg
Material	Aluminium
Tilt range	Approx. -5° to +15°
Load capacity	9 kg
Turning range of the swivel head	180°
Tilt range	Approx. -5° to +15°
Load capacity	9 kg
Material	Aluminium
Colour	black
Dimensions (HxWxD)	see drawing
Weight	2.0kg

Technical Drawing



Maße/Dimensions: mm

Your partner for eneo products:

