



VMC-17LCD-OPC1

Article-No.: 90565

17" (43cm) LCD/TFT Monitor,
1280x1024, 2x Composite,
Y/C, RGB, Audio, 12VDC

Mainfeatures

Professional LCD/TFT monitor
Multi-lingual on-screen menu driven set up
Resolution of 1280x1024 px. (SXGA)
High contrast and high brightness ratio
Integrated loudspeakers
Robust and compact plastic cabinet

PAL/NTSC auto selection
2D comb filter
2xCVBS, S-Video, RGB and audio inputs
Quick signal switching / Fast response time
Supply voltage: 12VDC
Table stand included


Specifications

Video standard	PAL/NTSC (automatic selection)
Display element	Colour TFT/LCD
Screen size	17"
Screen Size (cm)	43 cm
Pixel format	1280 (H) x 1024 (V), 0.264x0.264mm
Pixel fault class	ISO 13406-2, Class II
Screen formats	5:4
Scanning method	Digital progressive scan (Frame/Motion mode)
Resolution pixels	1280x1024
Resolution	CVBS and Y/C: 540TV lines; VGA: 640x480 (60 ~ 75Hz); SVGA: 800x600 (56 ~ 75Hz); XGA: 1024x768 (60 ~ 75Hz); SXGA: 1280x1024 (60 ~ 75Hz)
Comb filter	The digital PAL 2D comb filter decoder takes the current image into account in each case (horizontal and vertical dimensions), thereby preventing colour streaks. No disturbances are visible when the lines above and below are similar
Colour scales	>16 Mio. (8 bit chroma signal)



Specifications (continued)

Contrast ratio typical	1000:1
Brightness typical	300 cd/m ²
Viewing angle vertical	160°
Viewing angle horizontal	160°
Light source	4CCFL
Response time typical	5 ms
Response time typical	tr/ff
PC interfaces	VGA
Video inputs (type)	Y/C, VGA, composite (CVBS)
Video inputs	CVBS: 2x 1Vp-p, 75ohms termination, BNC; Y/C: Y=1.0Vp-p, C=0.3Vp-p, 75ohms, 4 pin Mini DIN (Loop-through inputs). RGB: R/G/B= 0.7Vp-p each, 75ohms
Audio inputs	2
Audio inputs	Stereo (RCA)
Loudspeaker	2watts x2
Menu languages	English, German, French, Spanish, Italian, Polish
Supply voltage	12VDC +/-5% (PSU 100V~240VAC included)
Power consumption	35W
External adjustments	On/Off, Menu, Input source selection, RGB auto adjustment, Volume
Remote control	-
Temperature range (operation)	10°C ~ +40°C
Housing material	ABS plastic
Mount	VESA standard (4 threads M4, 100x100mm)
Colour (housing)	black
Dimensions (HxWxD)	313x370x182mm
Total height with stand	355mm
Weight	4.5Kg
Parts supplied	PSU 100~240V/12VDC with power cord, VGA cable, Multi-language manual
Certificates	CE

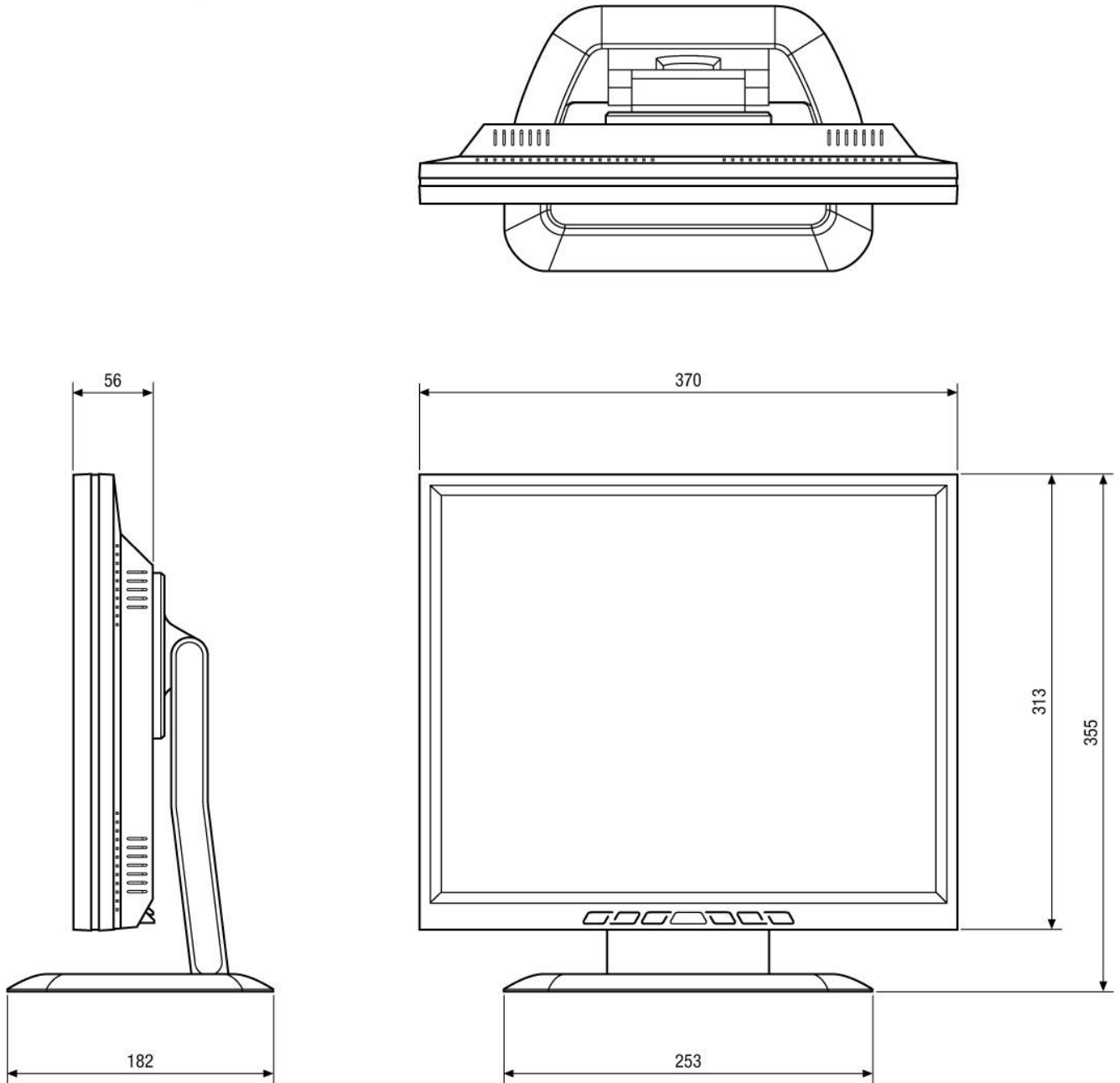
Optional Accessories

Image	Artikel-Nr. / Typ	Description
" data-bbox="85 763 201 788"/>	VMC-LCD/WCMB-1	Wall/Ceiling Bracket for LCD Monitors 15"/17"/19" P/CP/CM/HPC/HMC1 Series
	VMC-LCD/WMB-4	Wall Bracket for LCD Monitors up to 23", Pan and Tilttable

Optional Accessories (continued)

Image	Artikel-Nr. / Typ	Description
	UNO	Wall Bracket for LCD Monitors up to 23" , Pan and Tilttable
	VMC-LCD/CMB-1	Ceiling Mount Bracket, Pan and Tilttable for LCD Monitors 19" to 30"

Technical Drawing



Maße/Dimensions: mm



Your partner for eneo products:

