



VKC-135

Article-No.: 91506

1/3" Board Camera, Colour,
4.0mm, 480TVL, 12VDC

Mainfeatures

Resolution of 480 Horizontal Lines
Digital Signal Processing (DSP)
Electronic Shutter Control (ESC)
Internal Synchronization
Flickerless Mode

CCVS and Y/C Signal Output
Back Light Compensation (BLC)
High and LowSpeed Shutter
Automatic or Manual White Balance
High Sensitivity



Specifications

System	colour
Video standard	PAL
Sensor size	1/3"
Imager	CCD
Imager	Sony Super HAD Interline Transfer
Active picture elements	440,000, 752(H) x 582(V)
Synchronization	internal
Horizontal resolution	480 TVL
Sensitivity (at 50% video signal)	0.57Lux at F1.2 (Videor measurement result), 4.84Lux at F3.5
Automatic electronic shutter (ESC)	1/50 ~ 1/10,000sec.
Low speed shutter	no
Digital Noise Reduction (DNR)	no
White balance	automatic and manually (switchable)
Backlight compensation	BLC
Backlight compensation	yes
Wide Dynamic Range (WDR)	no


Specifications (continued)

IR cut filter	standard
Internal adjustments	Elektronic shutter control ON/OFF, Manual high speed shutter, Manual low speed shutter (2 to 16 fields), Automatic white balance, Manual white balance (Red/Green), AGC ON/OFF, Flickerless mode ON/OFF, Pos./Neg. video signal output
Video outputs	Y/C, composite (CVBS)
Lens type	fixed focal length
Lens	F3.5/4mm
Focal length	4 mm
Horizontal angle of view	63°
Iris control	DC
MOD (Minimum object distance)	0,1 m
Illumination	no
Serial interfaces	no
Temperature range (operation)	-10°C ~ +40°C
Housing material	aluminium
Housing	indoor
Integrated wall mount	no
Hidden cable management	no
Sunshield	no
Window heater	no
Colour (housing)	light grey
Protection rating	IP42
Supply voltage	12VDC
Power consumption	approx. 2W
Dimensions (HxWxD)	see drawing
Weight	115g
Certificates	CE

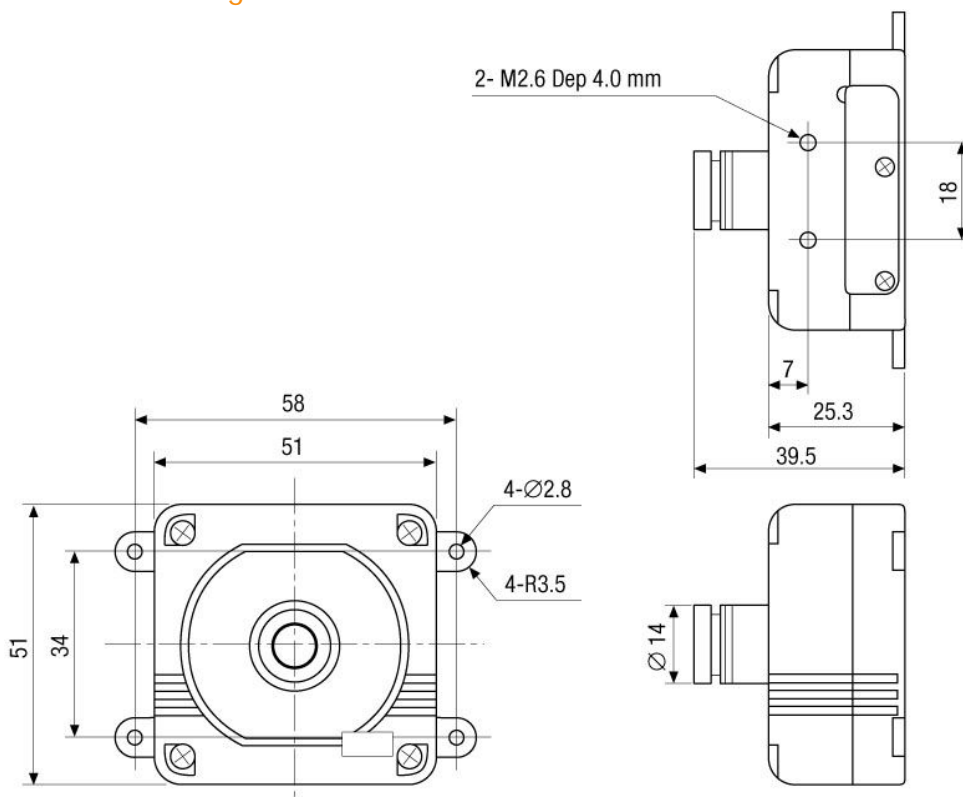
Optional Accessories

Image	Artikel-Nr. / Typ	Description
		F3.5/2.3mm Board Camera Lens, 1/3" M12X0.75
	VT-PS12DC-7	Plugable PSU w. Cont. & UK Mains plug-in 100-240VAC/12VDC-1.25A, Regulated

Optional Accessories (continued)

Image	Artikel-Nr. / Typ	Description
	VT-PS12DC-9	Plug-in Power Supply Unit 100-240VAC 12VDC (1.0Amp), Regulated, w. open Ends

Technical Drawing



Maße/Dimensions: mm

Your partner for eneo products:

