



VKD-135

Article-No.: 91782

1/3" B/W Minidome, Flush
Mount, 3.7mm, 420TVL, 12VDC

Mainfeatures

For Wall and In-ceiling Mount
Built-in Pinhole Lens F2.0/3.7 mm
Internal Synchronization

Resolution of 420 Horizontal Lines
Electronic Shutter Control (ESC)
Easy Installation



Specifications

System	black&white
Video standard	CCIR
Sensor size	1/3"
Imager	CCD
Imager	Sony Super HAD Interline Transfer
Horizontal resolution	420 TVL
Synchronization	internal
Gamma correction	0.45 / 1.0
Sensitivity (at 50% video signal)	1.0Lux at F1.2, 2.9Lux at F2.0 (Videor measurement result)
Low speed shutter	no
Digital Noise Reduction (DNR)	no
Backlight compensation	no
Wide Dynamic Range (WDR)	no
IR cut filter	no
Lens type	fixed focal length
Focal length	3,7 mm
Horizontal angle of view	68°
MOD (Minimum object distance)	0,1 m
Video outputs	composite (VBS)

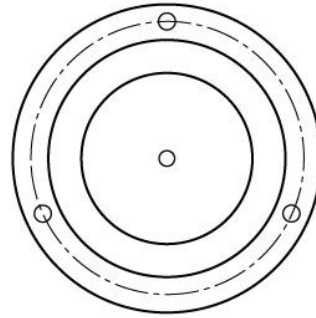
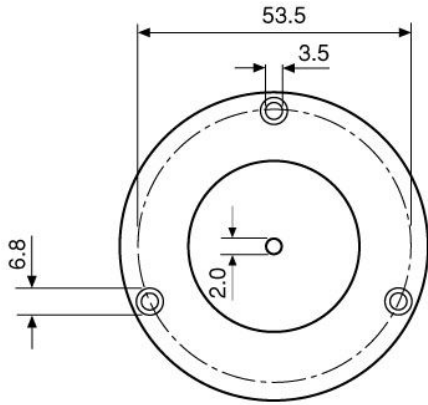
Specifications (continued)

Video outputs	1Vp-p, VBS, 75Ohm
Rotation range	359°
Tilt range	approx. +/-60°
External connections	Video (BNC), 12VDC (Cinch)
Serial interfaces	no
Housing	indoor
Housing material	aluminium
Colour (bubble)	-
Colour (housing)	anodized silver-coloured (C-0)
Heater	no
Mounting	flush mount, wall mount
Supply voltage	12VDC
Power consumption	1.2W
Temperature range (operation)	-10°C ~ +50°C
Protection rating	IP40
Vandalism resistant	no
Weight	125g
Certificates	CE

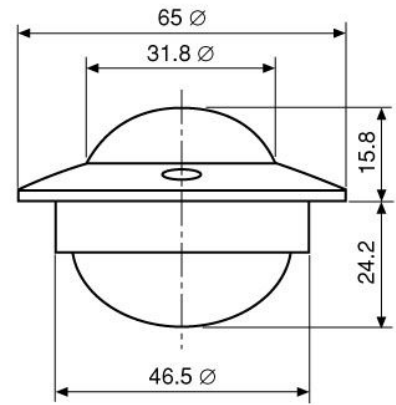
Optional Accessories

Image	Artikel-Nr. / Typ	Description
	VT-PS12DC-7	Plugable PSU w. Cont. & UK Mains plug-in 100-240VAC/12VDC-1.25A, Regulated
	VT-PS12DC-8	Plug-in Power Supply Unit 100-240VAC 12VDC (1.0Amp), Regulated, with DC Plug

Technical Drawing



Ansicht von unten
Bottom View



Maße/Dimensions: mm

Your partner for eneo products:

