



VKCD-143

Article-No.: 91801

1/4" Dome, Fixed, Colour,
clear, 3.6mm, 330TVL, 12VDC

Mainfeatures

For drop ceiling or wall mounting
Resolution of 330 horizontal Lines
Built-in lens F2.0/3.6mm
Automatic shutter control (ESC)
Backlight compensation (BLC)
Supply voltage: 12VDC

Clear bubble with inner liner
Sensitivity of 2.0Lux (F2.0)
Digital signal processing (DSP)
Automatic white balance (ATW)
Easy installation
Option: wall mount bracket



Specifications

System	colour
Video standard	PAL
Sensor size	1/4"
Imager	CCD
Imager	Sony Super HAD Interline Transfer
Horizontal resolution	330 TVL
Synchronization	internal
Sensitivity (at 50% video signal)	0,7 Lux
Sensitivity (at 50% video signal)	at F1.2 (measured)
Automatic gain control (AGC)	supplied
Automatic electronic shutter (ESC)	1/50 - 1/100,000sec.
Low speed shutter	no
Digital Noise Reduction (DNR)	no
Backlight compensation	BLC
Wide Dynamic Range (WDR)	no
IR cut filter	standard


Specifications (continued)

Activity detection	no
Lens type	fixed focal length
Focal length	3,6 mm
Horizontal angle of view	52°
MOD (Minimum object distance)	0,1 m
Video outputs	composite (CVBS)
Video outputs	1Vp-p, CVBS, 75ohms
Alarm inputs	-
Alarm outputs	-
e-PTZ support	no
Rotation range	110°
Tilt range	65° (+25° ~ +90° from horizontal level)
Illumination	no
External connections	Video (BNC), 12VDC (DC socket)
Serial interfaces	no
Housing	indoor
Housing material	plastic
Colour (bubble)	clear
Colour (housing)	light grey
Heater	no
Mounting	ceiling mount, wall mount
Supply voltage	12VDC
Power consumption	1.5W max.
Temperature range (operation)	-10°C ~ +50°C
Vandalism resistant	no
Weight	approx. 120g
Certificates	CE

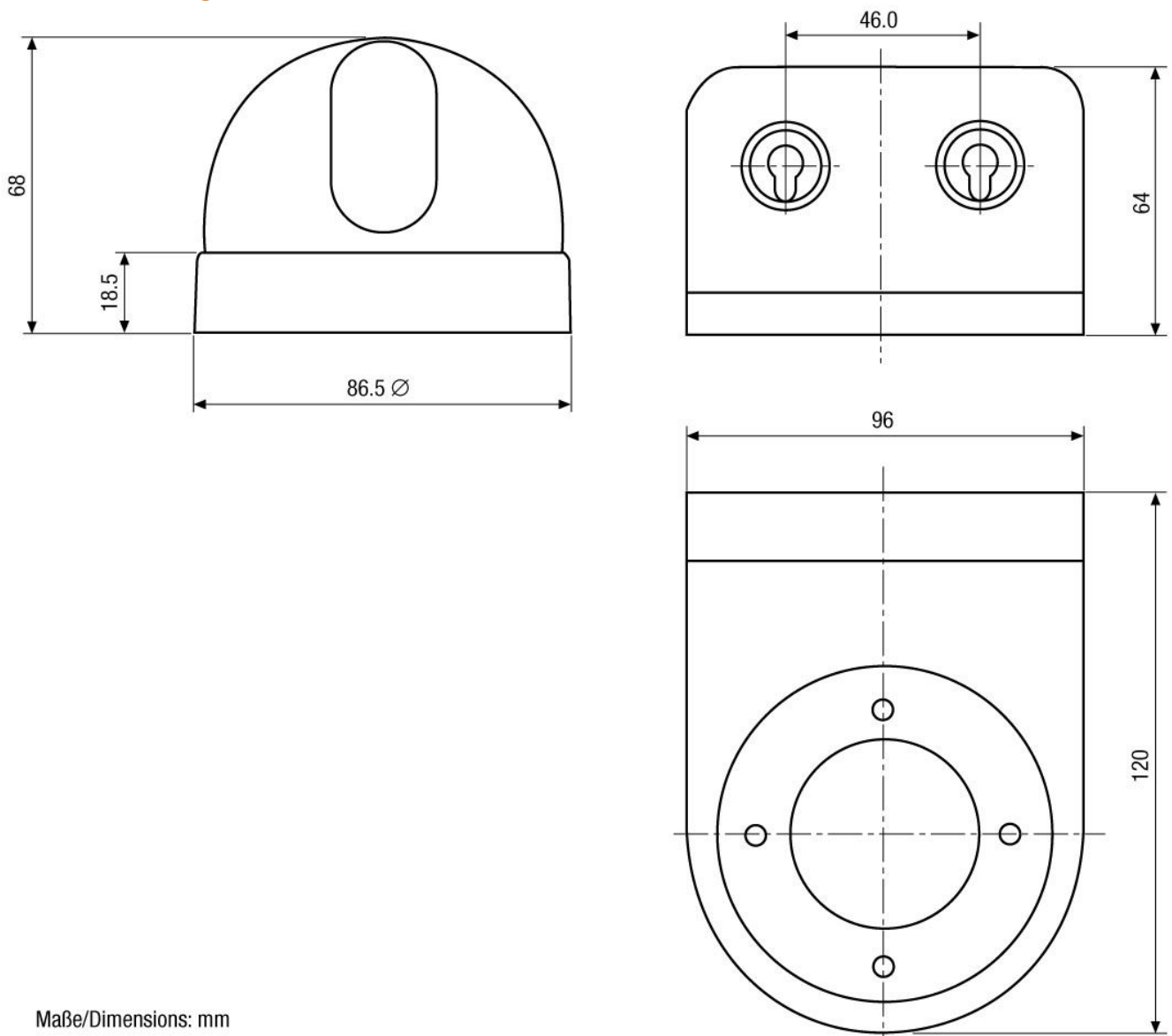
Optional Accessories

Image	Artikel-Nr. / Typ	Description
	VT-PS12DCDT1	PSU 12VDC/1.0A, Regulated, Desktop Version, 1.8m Cables each w. open ends
	VT-PS12DC-7	Plugable PSU w. Cont. & UK Mains plug-in 100-240VAC/12VDC-1.25A, Regulated

Optional Accessories (continued)

Image	Artikel-Nr. / Typ	Description
	VT-PS12DC-8	Plug-in Power Supply Unit 100-240VAC 12VDC (1.0Amp), Regulated, with DC Plug

Technical Drawing



Maße/Dimensions: mm



Your partner for eneo products:

