



VKC-1310/12V

Article-No.: 91851



1/3" Colour Camera, DSP,
12VDC, 330TVL, 0,45Lux

Mainfeatures

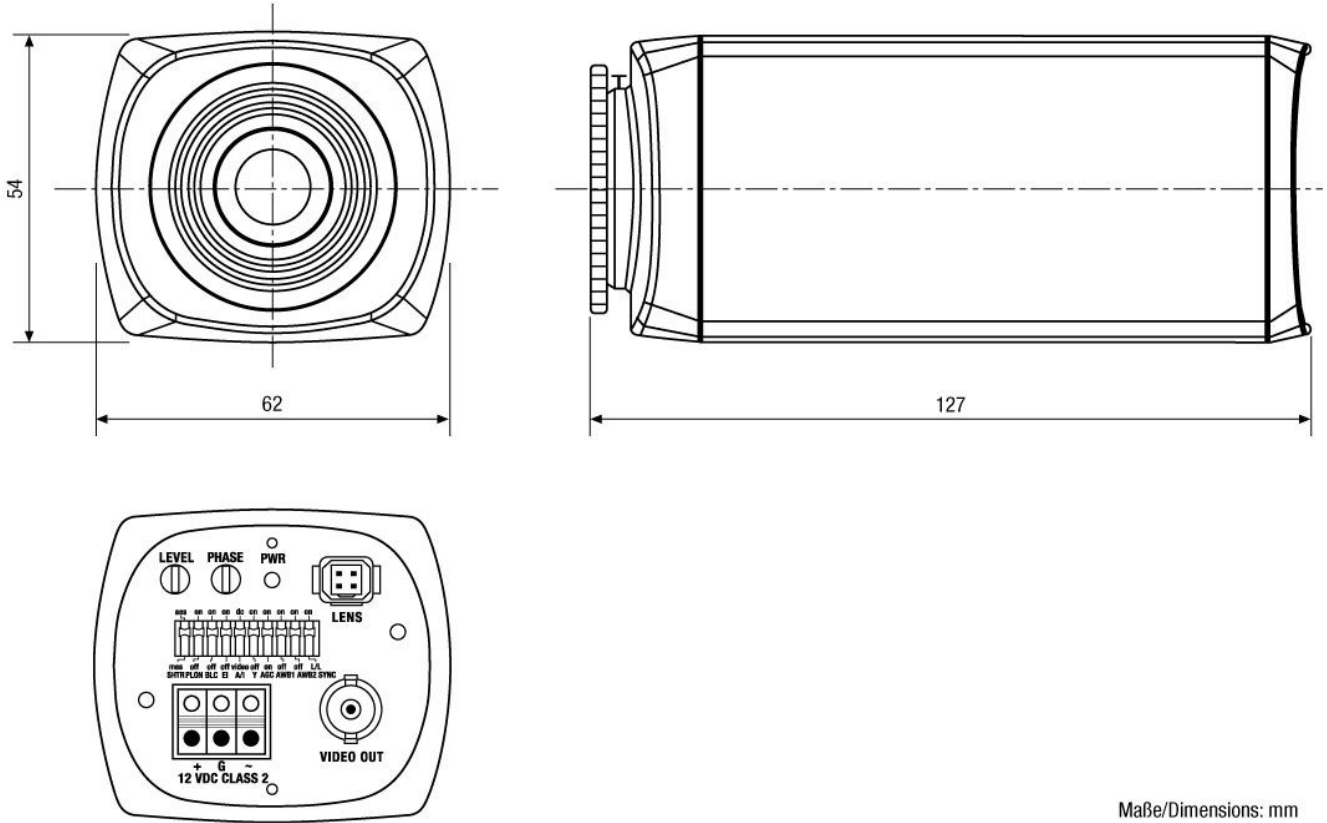
Resolution of 330 Horizontal Lines
Digital Signal Processing (DSP)
Linear Shutter Control (ESC)
Aperture Control (APC)
Internal Synchronization

High Sensitivity
Automatic Gain Control (AGC)
Automatic Shutter Control (AES)
Backlight Compensation (BLC)
Auto Iris and DC Iris Control

Optional Accessories

Image	Artikel-Nr. / Typ	Description
	WD-18	Wall Mount with Ball Joint, 1/4" Camera Fixing Screw, beige Grey
	VT-PS12DC-9	Plug-in Power Supply Unit 100-240VAC 12VDC (1.0Amp), Regulated, w. open Ends

Technical Drawing



Maße/Dimensions: mm

Your partner for eneo products:

