



VK-1315S/230V

Article-No.: 91929

1/3" B/W Camera 230VAC, 380TVL

Mainfeatures

Horizontal Resolution of 380 TV Lines
Automatic Gain Control (AGC)
Aperture Control (APC)
Internal Synchronization
C/CS Mount

High Sensitivity
Automatic Shutter Control (AES)
Backlight Compensation (BLC)
Auto Iris and DC Iris Control
Supply Voltage: 230VAC




Specifications

System	black&white
Video standard	CCIR
Sensor size	1/3"
Imager	CCD
Imager	Sony Super HAD Interline Transfer
Active picture elements	290,000, 500(H) x 582(V)
Horizontal resolution	380 TVL
Synchronization	AC line lock
Signal-to-noise ratio	46db (AGC OFF)
Gamma correction	0.45
Sensitivity (at 50% video signal)	0.23Lux at F1.2 (Videor measurement result)
Low speed shutter	no
Digital Noise Reduction (DNR)	no
Backlight compensation	BLC
Wide Dynamic Range (WDR)	no
Aperture Correction (APC)	horizontal and vertical
IR cut filter	no

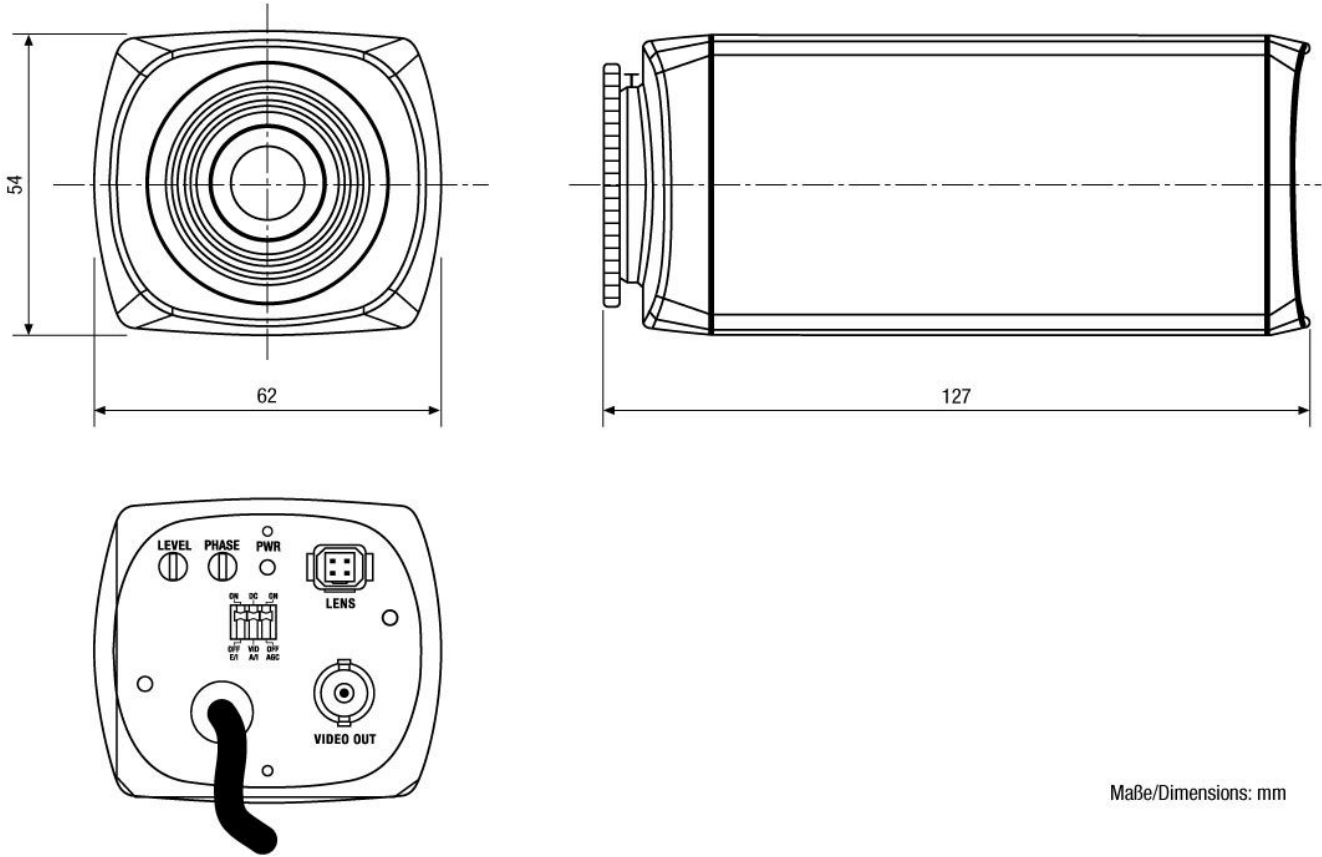
Specifications (continued)

Lens mount	CS mount
Iris control	Manual iris, Auto-Iris/DC controlled iris
External adjustments	Shutter ON/OFF, AGC ON/OFF, AI/DC iris control, Flange focus Level for DC controlled lenses, V-phase adjustment
Video outputs	composite (VBS)
Video outputs	1Vp-p, VBS, 75Ohm
External connections	Video (BNC), Auto-Iris/DC iris (4 pin), Power cord
Serial interfaces	no
Camera mount	1/4" - 20 UNC thread on top and bottom
Supply voltage	230VAC
Supply voltage	(+/-10%), 50Hz
Power consumption	5W
Colour	Pantone 877, Front and back: Pantone 8400C
Temperature range (operation)	-10°C ~ +40°C
Dimensions (HxWxD)	see drawing
Weight	500g
Parts supplied	Camera, C/CS Mount ring, 4-pin lens plug, Manual
Certificates	CE

Optional Accessories

Image	Artikel-Nr. / Typ	Description
	WD-23	Wall Mount Bracket with Ball Joint, 1/4" Camera Fixing Screw, Pantone 877
	WD-22	Wall Mount Bracket with Ball Joint, 1/4" Camera Fixing Screw, Beige Grey
	WD-18	Wall Mount with Ball Joint, 1/4" Camera Fixing Screw, beige Grey

Technical Drawing



Maße/Dimensions: mm

Your partner for eneo products:

