



VK-1318/WDDG1

Article-No.: 91944

1/3" Dome, Fixed, B/W,
clear, 4-8mm, 600TVL, 12VDC

Mainfeatures

For Wall and In-ceiling Mount
Clear Lexan Bubble with Inner Liner
Integrated F2.0/4-8mm Varifocal Lens
Automatic Shutter Control (AES)
For Easy Indoor Installation)

Vandal and Tamper-Resistant
1/3" B&W CCD Board Camera w. Manual Varifocal Lens
Resolution of 600 Horizontal Lines
Automatic Gain Control (AGC)
Manual 3-axis Camera Adjustment




Specifications

System	black&white
Video standard	CCIR
Sensor size	1/3"
Imager	CCD
Imager	Sony Super HAD Interline Transfer
Active picture elements	440,000, 752(H) x 582(V)
Horizontal resolution	600 TVL
Synchronization	internal
Gamma correction	0.45
Sensitivity (at 50% video signal)	0,75 Lux
Sensitivity (at 50% video signal)	0.75Lux at F1.2 (Videor measurement result), 2.1Lux at F2.0
Automatic electronic shutter (ESC)	1/50 - 1/100,000sec.
Low speed shutter	no
Digital Noise Reduction (DNR)	no
Backlight compensation	no
Wide Dynamic Range (WDR)	no
IR cut filter	no

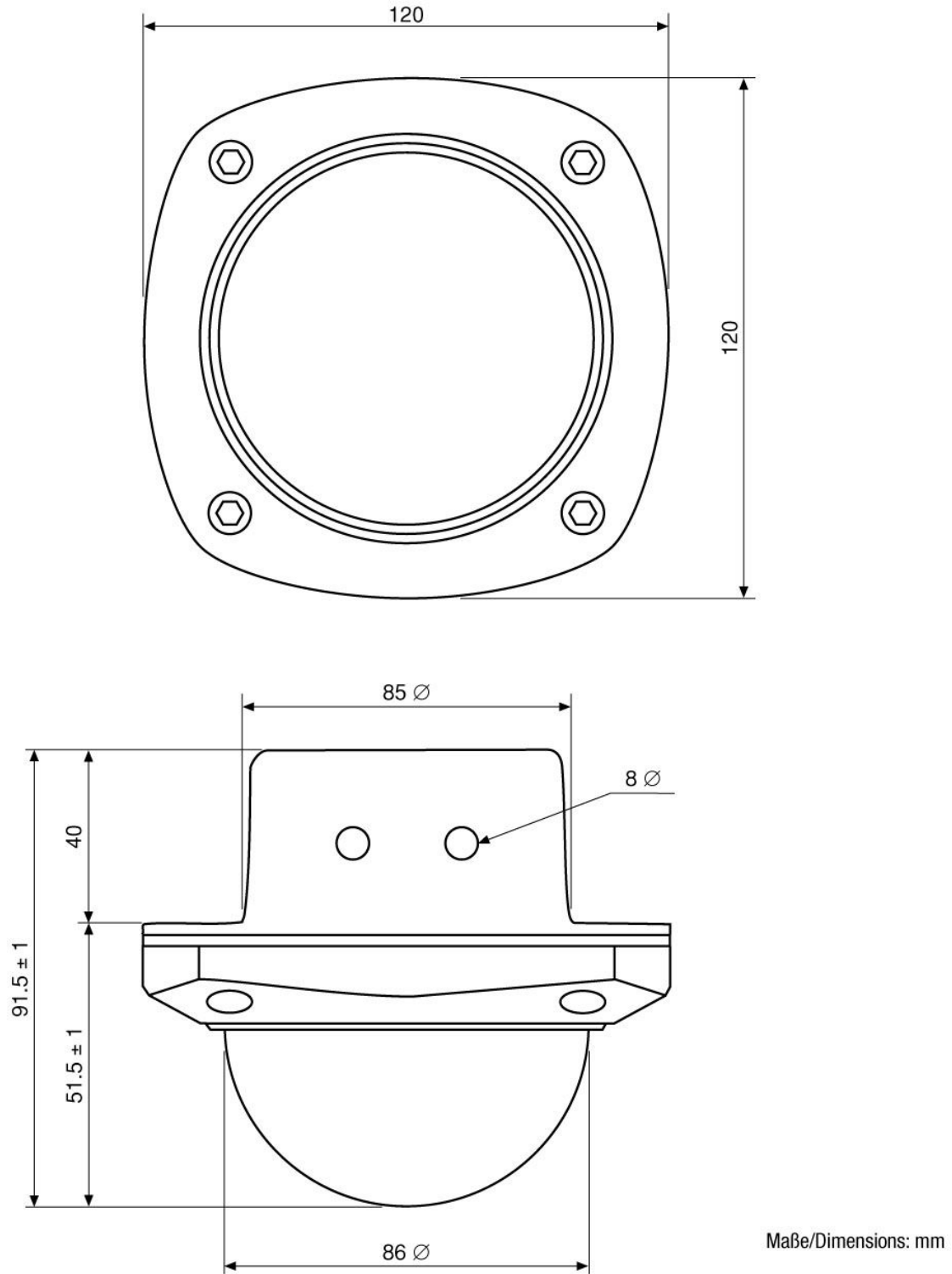
Specifications (continued)

Lens type	varifocal
Focal length	4 mm - 8 mm
Horizontal angle of view	63° - 34°
MOD (Minimum object distance)	0,1 m
Video outputs	composite (VBS)
Video outputs	1Vp-p, VBS, 75Ohm
Rotation range	360°
Serial interfaces	no
Housing	outdoor
Housing	Die-cast aluminium with clear polycarbonate bubble
Housing material	aluminium
Bubble	PC plastic bubble with inner liner, vandal resistant
Colour (bubble)	clear
Colour (housing)	Pantone Cool Gray 1C
Heater	no
Mounting	wall mount, flush mount
Supply voltage	12VDC
Power consumption	approx. 1.4W
Temperature range (operation)	-10°C ~ +50°C
Protection rating	IP65
Vandalism resistant	yes
Dimensions (HxWxD)	see drawing
Weight	approx. 750g
Certificates	CE

Optional Accessories

Image	Artikel-Nr. / Typ	Description
	VT-PS12DCDT1	PSU 12VDC/1.0A, Regulated, Desktop Version, 1.8m Cables each w. open ends
	VT-PS12DC-7	Plugable PSU w. Cont. & UK Mains plug-in 100-240VAC/12VDC-1.25A, Regulated
	VT-PS12DC-9	Plug-in Power Supply Unit 100-240VAC 12VDC (1.0Amp), Regulated, w. open Ends

Technical Drawing





Your partner for eneo products:

