

VKC-1310S/12-24

Article-No.: 91951

1/3" Colour Camera, DSP,
330TVL, 12VDC/24VAC

Mainfeatures

Resolution of 330 Horizontal Lines
Digital Signal Processing (DSP)
Linear Shutter Control (ESC)
Aperture Control (APC)
Internal Synchronization

High Sensitivity
Automatic Gain Control (AGC)
Automatic Shutter Control (AES)
Backlight Compensation (BLC)
Auto Iris and DC Iris Control





Specifications

System	colour
Video standard	CCIR/PAL
Sensor size	1/3"
Imager	CCD
Imager	Sony Super HAD Interline Transfer
Active picture elements	290,000, 500(H) x 582(V)
Horizontal resolution	330 TVL
Synchronization	Internal/AC line lock
Signal-to-noise ratio	50dB (AGC OFF)
Gamma correction	0.45 (ON/OFF switchable)
Sensitivity (at 50% video signal)	0.45Lux at F1.2 (Videor measurement result)
Low speed shutter	no
Digital Noise Reduction (DNR)	no
Backlight compensation	BLC
Wide Dynamic Range (WDR)	no
White balance	ON/OFF switchable
Flickerless function	On/Off switchable


Specifications (continued)

IR cut filter	standard
Lens mount	CS mount
Iris control	Manual iris, Auto-Iris/DC controlled iris
External adjustments	AGC, BLC, ESC, Flickerless, AWB ON/OFF, AI/DC iris control, AES/ESC, Flange focus Level for DC controlled lenses
Video outputs	composite (CVBS)
Video outputs	1Vp-p, CVBS, 75ohms, BNC
External connections	Video (BNC), Auto Iris/DC iris (4 pin), Power input (2 pin)
Serial interfaces	no
Camera mount	1/4" - 20 UNC thread on top and bottom
Supply voltage	24VAC, 12VDC
Supply voltage	(+/-20%), 24VAC (+/-10%), 50Hz
Power consumption	approx. 6W
Colour	Pantone 877, Front and back: Pantone 8400C
Temperature range (operation)	-10°C ~ +50°C
Dimensions (HxWxD)	see drawing
Weight	235g
Parts supplied	Camera, C/CS Mount ring, 4-pin lens plug, Manual
Certificates	CE

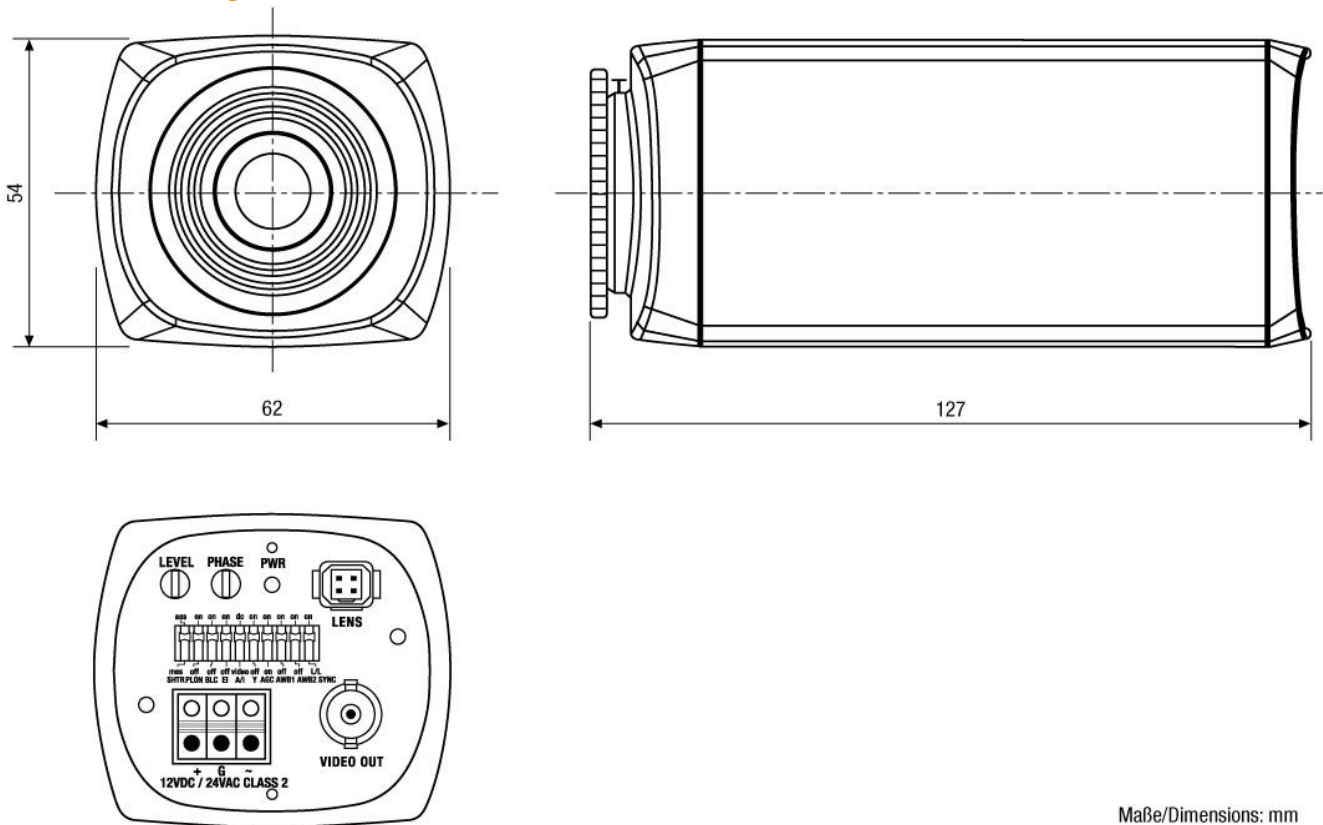
Optional Accessories

Image	Artikel-Nr. / Typ	Description
	VT-PS12DCDT1	PSU 12VDC/1.0A, Regulated, Desktop Version, 1.8m Cables each w. open ends
	WD-23	Wall Mount Bracket with Ball Joint, 1/4" Camera Fixing Screw, Pantone 877
	WD-18	Wall Mount with Ball Joint, 1/4" Camera Fixing Screw, beige Grey
	WD-22	Wall Mount Bracket with Ball Joint, 1/4" Camera Fixing Screw, Beige Grey

Optional Accessories (continued)

Image	Artikel-Nr. / Typ	Description
	VT-PS12DC-9	Plug-in Power Supply Unit 100-240VAC 12VDC (1.0Amp), Regulated, w. open Ends

Technical Drawing



Maße/Dimensions: mm



Your partner for eneo products:

