



VKC-1311S/12-24

Article-No.: 91952

1/3" Colour Camera DSP,
12VDC/24VAC, 480TVL

Mainfeatures

Horizontal Resolution of 480 TV Lines
Digital Signal Processing (DSP)
Linear Shutter Control (ESC)
Aperture Control (APC)
Internal Synchronization

High Sensitivity
Automatic Gain Control (AGC)
Automatic Shutter Control (AES)
Backlight Compensation (BLC)
Auto Iris and DC Iris Control



Specifications

System	colour
Video standard	CCIR/PAL
Sensor size	1/3"
Imager	CCD
Imager	Sony Super HAD Interline Transfer
Active picture elements	440,000, 752(H) x 582(V)
Horizontal resolution	480 TVL
Synchronization	Internal/AC line lock
Signal-to-noise ratio	50dB (AGC OFF)
Gamma correction	0.45 (ON/OFF switchable)
Sensitivity (at 50% video signal)	1,3 Lux
Sensitivity (at 50% video signal)	at F1.2 (measured)
Automatic electronic shutter (ESC)	1/50 - 1/10,000sec.
Low speed shutter	no
Digital Noise Reduction (DNR)	no
Backlight compensation	BLC
Backlight compensation	ON/OFF switchable




Specifications (continued)

Wide Dynamic Range (WDR)	no
White balance	ON/OFF switchable
Flickerless function	ON/OFF switchable
IR cut filter	standard
Activity detection	no
Digital zoom	no
Lens mount	CS mount
Iris control	Manual iris, Auto-Iris/DC controlled iris
External adjustments	AGC, BLC, ESC, Flickerless, AWB ON/OFF, AI/DC Iris control, AES/ESC, Flange focus Level for DC controlled lenses
Video outputs	composite (CVBS)
Video outputs	1Vp-p, 75ohms, BNC
External connections	Video (BNC), Auto Iris/DC iris (4 pin), Power input (2 pin)
Serial interfaces	no
Camera mount	1/4" - 20 UNC thread on top and bottom
Alarm inputs	-
Alarm outputs	-
Supply voltage	12VDC, 24VAC
Supply voltage	(+/-20%), 24VAC (+/-10%), 50Hz
Power consumption	approx. 6W
Colour	Pantone 877, Front and back: Pantone 8400C
Protection rating	n/a
Temperature range (operation)	-10°C ~ +50°C
Dimensions (HxWxD)	see drawing
Weight	235g
Parts supplied	Camera, C/CS Mount ring, 4-pin lens plug, Manual
Certificates	CE

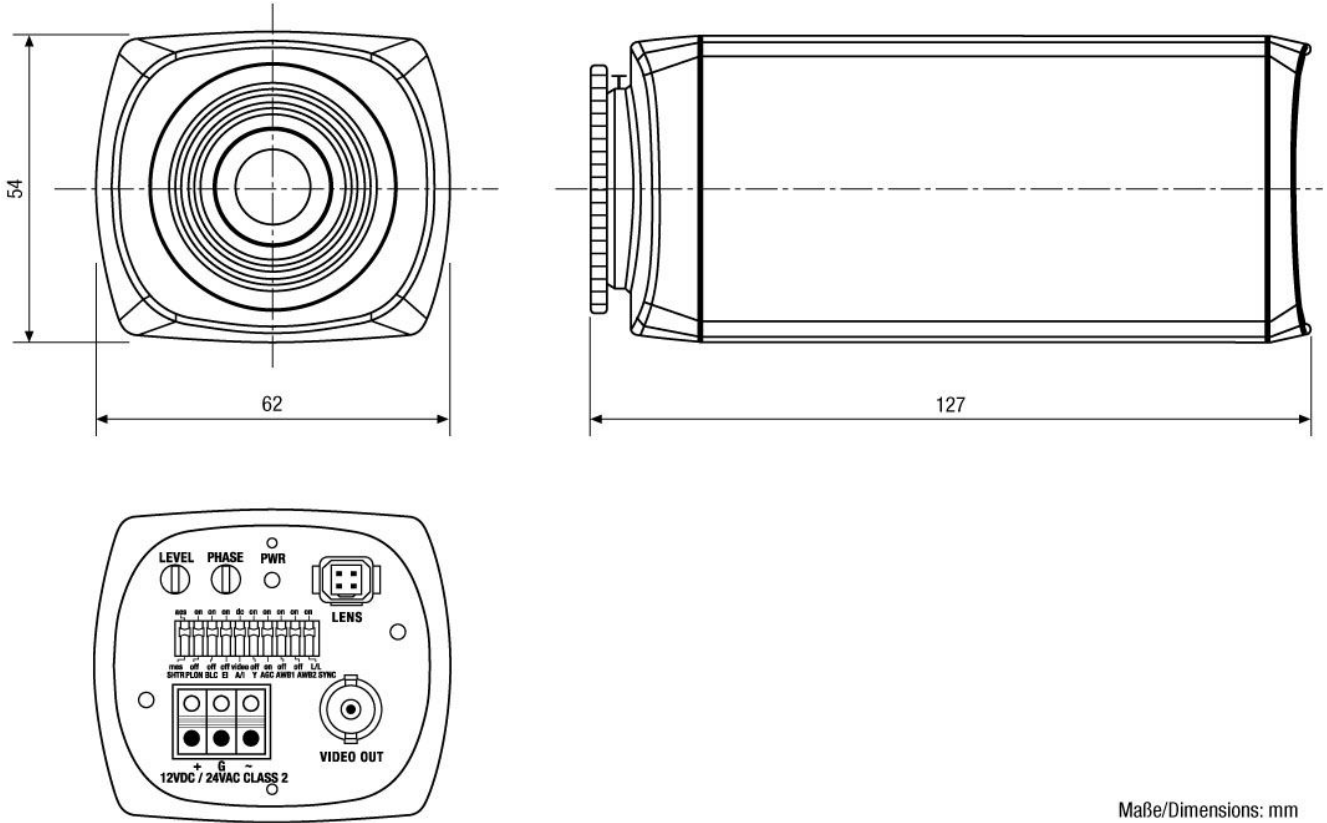
Optional Accessories

Image	Artikel-Nr. / Typ	Description
	WD-23	Wall Mount Bracket with Ball Joint, 1/4" Camera Fixing Screw, Pantone 877
	WD-22	Wall Mount Bracket with Ball Joint, 1/4" Camera Fixing Screw, Beige Grey

Optional Accessories (continued)

Image	Artikel-Nr. / Typ	Description
	WD-18	Wall Mount with Ball Joint, 1/4" Camera Fixing Screw, beige Grey
	VT-PS12DCDT1	PSU 12VDC/1.0A, Regulated, Desktop Version, 1.8m Cables each w. open ends
	VT-PS12DC-9	Plug-in Power Supply Unit 100-240VAC 12VDC (1.0Amp), Regulated, w. open Ends

Technical Drawing



Maße/Dimensions: mm

Your partner for eneo products:

