



VKC-1317/IR-3.8

Article-No.: 91958

1/3" Day&Night Camera,
F2.0/3.8mm Lens, 850nm LED
Illumination, 380TVVL

Mainfeatures

Weatherproof CCD Colour/B&W Camera
Integrated 3.8mm Lens
12x of Integrated 850nm IR LED's
Automatic Shutter Control (AES)
Supply Voltage: 12 VDC
Mounting Stand with Swivel Head

1/3" Super HAD CCD Sensor
Resolution of 380 Horizontal Lines
B&W Display at Night Time and IR LED Illumination
Automatic White Balance (AWB)
Aluminium Housing with Sunshield
Certified according to BGV Kassen



Specifications

System	day&night
Video standard	CCIR/PAL
Sensor size	1/3"
Imager	CCD
Imager	Sony Super HAD Interline Transfer
Active picture elements	290,000, 500(H) x 582(V)
Synchronization	internal
Signal-to-noise ratio	50dB (AGC OFF)
Gamma correction	0.45
Horizontal resolution	380 TVL
Sensitivity (at 50% video signal)	0.25Lux at F1.2 (Videor measurement result), 0.7Lux at F2.0; 0Lux at IR illumination.
Low speed shutter	no
Automatic gain control (AGC)	yes
Digital Noise Reduction (DNR)	no
Backlight compensation	no

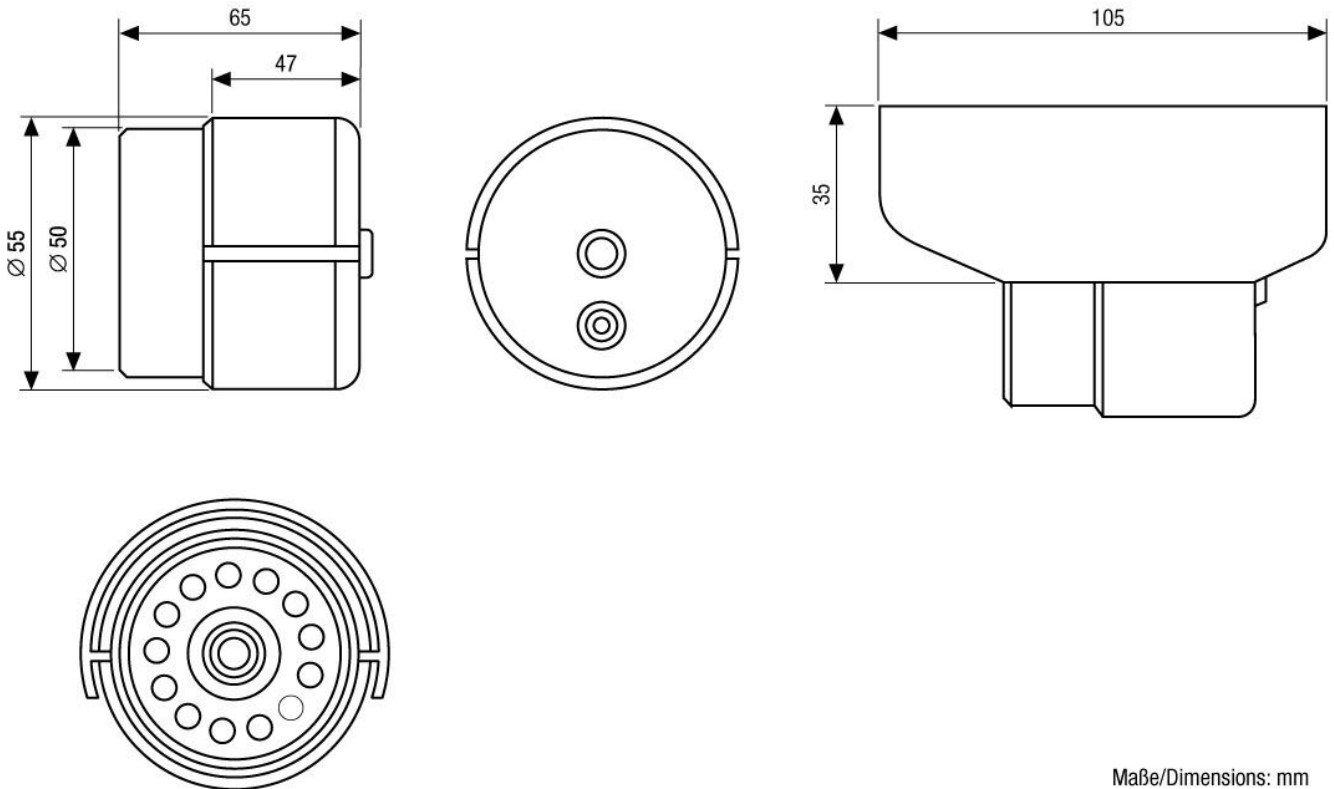
Specifications (continued)

Wide Dynamic Range (WDR)	no
Aperture Correction (APC)	horizontal and vertical
IR cut filter	OLPF (Overlay Low Pass Filter)
Video outputs	composite (CVBS)
Lens type	fixed focal length
Lens	F2,0 / 3.8mm with fixed focus
Focal length	3,8 mm
Horizontal angle of view	65°
Iris control	no
MOD (Minimum object distance)	0,1 m
Illumination	infrared
Illumination	12x LED's, due to an integrated light sensor the LED illumination will be switched ON/OFF, depending from environmental illumination conditions
Illumination range	approx. 10m
Serial interfaces	no
External connections	Video (BNC), 12 VDC (DC socket)
Kind of mounting	1/4"-20 thread on rear side
Temperature range (operation)	-10°C ~ +50°C
Housing material	aluminium
Housing	outdoor
Integrated wall mount	no
Hidden cable management	no
Window screen	coated plastic for outdoor use, clear window section for the lens
Sunshield	yes
Window heater	no
Colour (housing)	silver grey
Protection rating	IP67
Supply voltage	12VDC
Supply voltage	(+/-10%)
Power consumption	2.8W
Weight	310g (incl. stand)
Certificates	CE

Optional Accessories

Image	Artikel-Nr. / Typ	Description
	VT-PS12DC-7	Pluggable PSU w. Cont. & UK Mains plug-in 100-240VAC/12VDC-1.25A, Regulated
	VT-PS12DC-8	Plug-in Power Supply Unit 100-240VAC 12VDC (1.0Amp), Regulated, with DC Plug

Technical Drawing



Maße/Dimensions: mm



Your partner for eneo products:

