



## VKC-1330/IR

Article-No.: 91968

1/3" Day&Night Camera, DSP, EDR, RS-485,  
510TVL, 230VAC

### Mainfeatures

IR sensitive colour/b&w camera  
Sensitivity of 0.001Lux (F1.2) at sens-up on  
Automatic gain control (AGC)  
Backlight compensation (BLC)  
On-screen menu control

Horizontal resolution of 510 TV lines (b&w)  
Removable IR cut filter  
Digital image stabilisation (DIS)  
High and low speed shutter control  
Various modes available

### Specifications

System	Day&Night
Video standard	CCIR/PAL
Sensor size	1/3"
Imager	CCD
Imager	Sony Super HAD Interline Transfer
Active picture elements	440,000, 752(H) x 582(V)
Horizontal resolution	480 TVL
Horizontal resolution	(Colour), 510TVL (B&W)
Synchronization	Line lock or internal
Signal-to-noise ratio	52db (AGC OFF)
Gamma correction	0.45
Sensitivity (at 50% video signal)	0,23 Lux
Sensitivity (at 50% video signal)	(colour), 0.1Lux (B&W) at F1.2 (measured)
Automatic electronic shutter (ESC)	1/50 ~ 1/10,000sec.
Manual electronic shutter (MES)	1/50 ~ 1/10,000sec.
Low Speed Shutter	yes
Low speed shutter	1/30sec. ~ 1sec. (50 Fps.)


## Specifications (continued)

Digital Noise Reduction (DNR)	no
Backlight compensation	BLC
Backlight compensation	Center/Top/Bottom and OFF
Wide Dynamic Range (WDR)	no
White balance	Automatic (AWB) selectable for indoor and outdoor, or manual. Wide range auto mode (WAWB, 1800-10500K)
Aperture Correction (APC)	Horizontal and vertical
IR cut filter	switchable
Day/Night switching	By external contact closure
OSD function control	Colour/B&W, PIP, Freeze, Digital zoom, Flickerless ON/OFF, AGC. Mirror (hor.), Positive/Negative. B&W ON/External. Picture stabilizing (DIS), Extended dynamic range (EDR), Sharpness, Brightness, Shutter modes, BLC, AWB. Default/Preset
Text display	Title, camera ID and status
Activity detection	no
Digital Zoom	12x
PTZ Support	no
Lens mount	CS mount
Iris control	Manual iris, Auto-Iris/DC controlled
Auto exposure	Automatic/Manual/flimmerfree/AGC
Illumination	no
External adjustments	Menu, Cursor up/down, LL phase (for AC24V only), AI/DC iris control, Level for DC voltage controlled iris, Flange back composite (CVBS)
Video outputs	1Vp-p, (C)VBS, 75ohms, BNC
Video outputs	Video (BNC), Auto/DC Iris (4 pin), Serial interfaces, Power input (mains cord)
External connections	RS-232, RS-485
Serial interfaces	1/4" - 20 UNC thread on top and bottom
Camera mount	no
Alarm inputs	no
Alarm outputs	no
Supply voltage	230VAC
Power consumption	6.0watts max.
Housing	indoor
Colour	Pantone 877, Front and back: Pantone 8400C
Hidden cable management	no
Vandalism resistant	no
Protection rating	n/a
Temperature range (Operation)	-10°C ~ +50°C
Dimensions (HxWxD)	See drawing
Weight	265g
Parts supplied	6-pin adapter cable with open ends, 4-pin lens plug, C/CS mount ring
Certificates	CE

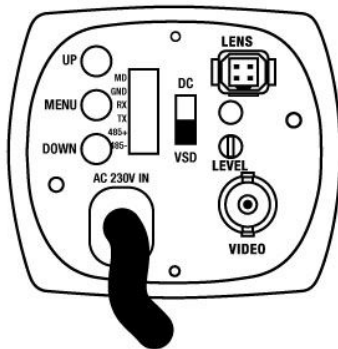
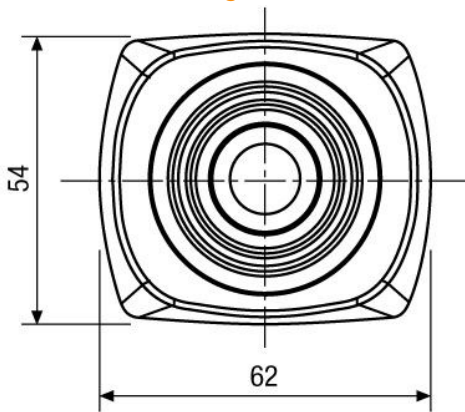
## Optional Accessories

Image	Artikel-Nr. / Typ	Description
	WD-22	Wall Mount Bracket with Ball Joint, 1/4" Camera Fixing Screw, Beige Grey
	WD-23	Wall Mount Bracket with Ball Joint, 1/4" Camera Fixing Screw, Pantone 877
	WD-21/RAL9006	Wall Mount Bracket with Ball Joint, 1/4" Camera Fixing Screw, RAL9006
	YV5X2.7R4B-SA2L	F1.3/2.7-13.5mm DC Varifocal Lens, No Focus Shift, 1/3" CS Mount
	A10Z04NDDC-NFS	F1.4/10-40mm DC Lens/var. Focal Length with No Focus Shift, 1/2" C Mount
	F07Z07NDDC-NFS	F1.3/7.5-50mm DC Lens/var. Focal Length with No Focus Shift, 1/3" CS Mount
	G04Z03NDDC-NFS	F1.2/4.5-12.5mm DC Lens/variable Focal Length, No Focus Shift, 1/2" CS Mount

## Optional Accessories (continued)

Image	Artikel-Nr. / Typ	Description
	G04Z03M-NFS	F1.2/4.5-12.5mm Lens, Var. Focal Length with No Focus Shift, 1/2", CS Mount

## Technical Drawing



Maße/Dimensions: mm



Your partner for eneo products:

