



VK-1320/WDDG2

Article-No.: 91972

1/3" B/W Dome, Surface
Mount, 4-8mm, 380TVL, 12VDC

Mainfeatures

For Wall and Drop-ceiling Mount
Clear Lexan Bubble with Inner Liner
Integrated F1.6/4-8mm Varifocal Lens
Automatic Shutter Control (AES)
Back Light Compensation (BLC)

Vandal and Tamper-Resistant
1/3" B&W CCD Board Camera w. Manual Varifocal Lens
Resolution of 380 Horizontal Lines
Automatic Gain Control (AGC)
Manual 3-axis Camera Adjustment



Specifications

System	black&white
Video standard	CCIR
Sensor size	1/3"
Imager	CCD
Imager	1/3" Interline transfer CCD
Active picture elements	300,000, 512(H) x 582(V)
Horizontal resolution	380 TVL
Synchronization	internal
Signal-to-noise ratio	46db (AGC OFF)
Gamma correction	0.45
Sensitivity (at 50% video signal)	0,14 Lux
Sensitivity (at 50% video signal)	at F1.2, 0.3Lux at F2.0 (Videor measurement result)
Automatic electronic shutter (ESC)	1/50 - 1/100,000sec.
Low speed shutter	no
Digital Noise Reduction (DNR)	no
Backlight compensation	BLC
Backlight compensation	60% center weighted




Specifications (continued)

Wide Dynamic Range (WDR)	no
IR cut filter	no
Lens type	varifocal
Focal length	4 mm - 8 mm
Horizontal angle of view	63° - 34°
MOD (Minimum object distance)	0,15 m
Video outputs	composite (VBS)
Video outputs	1Vp-p, VBS, 75Ohm
Rotation range	manual: 360°
Serial interfaces	no
Housing	outdoor
Housing	Die-cast aluminium with clear polycarbonate bubble
Housing material	aluminium
Bubble	PC plastic bubble with inner liner, vandal resistant
Colour (bubble)	clear
Colour (housing)	Pantone Cool Gray 1C
Heater	optional
Mounting	ceiling mount, wall mount
Supply voltage	12VDC
Power consumption	approx. 2W
Temperature range (operation)	-10°C ~ +40°C
Protection rating	IP65
Vandalism resistant	yes
Dimensions (HxWxD)	see drawing
Colour	Pantone Cool Gray 1C
Weight	approx. 750g
Certificates	CE

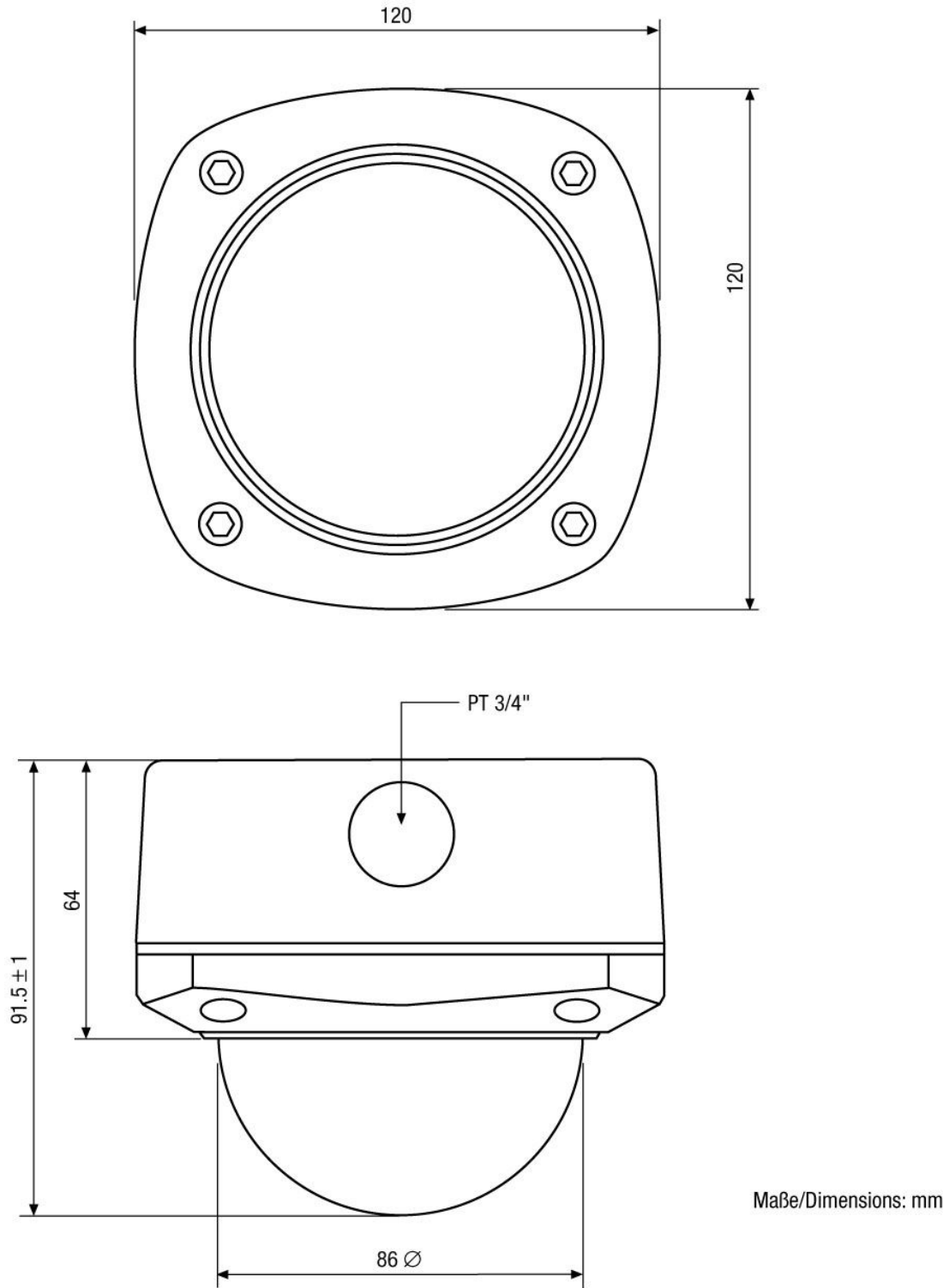
Optional Accessories

Image	Artikel-Nr. / Typ	Description
	VT-PS12DCDT1	PSU 12VDC/1.0A, Regulated, Desktop Version, 1.8m Cables each w. open ends
	VT-PS12DC-10	Plugable AC/DC Adapter 100-240V/12VDC- 2.5A, stab., Cont. & UK Mains plug-ins

Optional Accessories (continued)

Image	Artikel-Nr. / Typ	Description
	VT-PS12DC-7	Plugable PSU w. Cont. & UK Mains plug-in 100-240VAC/12VDC-1.25A, Regulated
	WDDG2/H12	Low Voltage Heater Kit 12V/8W for WDDG-2 housing
	3/4" - M25X1.5	Thread Adapter 3/4" - Conduit Connection M25x1.5mm for Dome Surface Mount Housing

Technical Drawing



Maße/Dimensions: mm



Your partner for eneo products:

