



VKC-1332/3.6SMD

Article-No.: 91987

1/3" Camera, Kamera, 3.6mm,
470TVL, Smoke Detector
Housing, 12VDC

Mainfeatures

For wall and drop ceiling mount
Built-in pinhole lens F2.0/3.6mm
Internal synchronization

Resolution of 470 horizontal lines
Automatic shutter control (ESC)
Supply voltage: 12VDC


Specifications

System	colour
Video standard	PAL
Sensor size	1/3"
Imager	CCD
Imager	1/3" Interline transfer CCD
Synchronization	internal
Signal-to-noise ratio	46dB (AGC OFF)
Gamma correction	0.45
Horizontal resolution	470 TVL
Sensitivity (at 50% video signal)	0,5 Lux
Sensitivity (at 50% video signal)	at F1.2 (measured)
Automatic electronic shutter (ESC)	1/50 - 1/100,000sec.
Low speed shutter	no
Digital Noise Reduction (DNR)	no
White balance	automatic (2000 - 10.000K)
Backlight compensation	no
Wide Dynamic Range (WDR)	no
IR cut filter	standard
Video outputs	composite (CVBS)

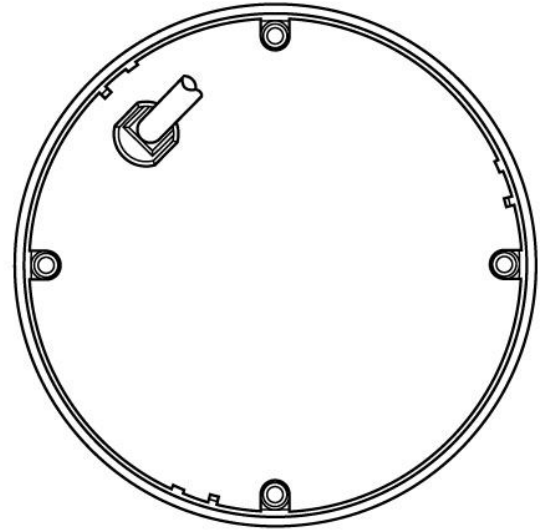
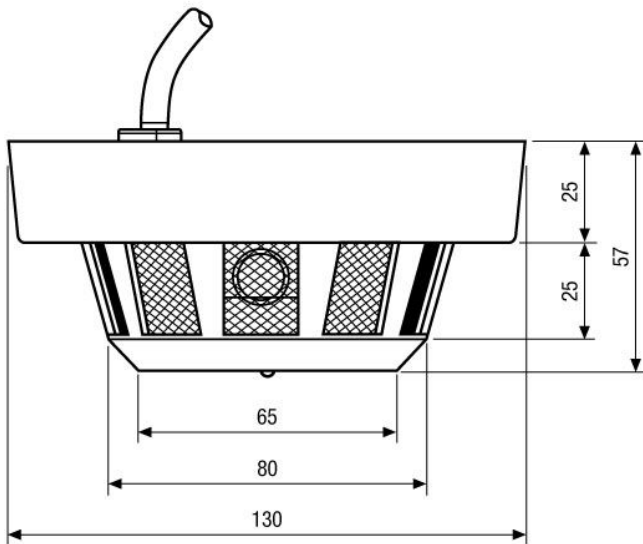
Specifications (continued)

Lens type	fixed focal length
Lens	F2.0/3.6mm
Focal length	3,6 mm
e-PTZ support	no
Digital zoom	no
Horizontal angle of view	69°
Iris control	no
MOD (Minimum object distance)	0,1 m
Illumination	no
Activity detection	no
Serial interfaces	no
External connections	Video (BNC), 12VDC (DC plug)
Mounting	wall mount, ceiling mount
Mounting	wall and drop ceiling mount
Temperature range (operation)	-10°C ~ +50°C
Housing material	plastic
Housing	indoor
Integrated wall mount	no
Hidden cable management	yes
Sunshield	no
Window heater	no
Colour (housing)	white
Vandalism resistant	no
Protection rating	IP20
Alarm inputs	-
Alarm outputs	-
Supply voltage	12VDC
Supply voltage	(+/-10%)
Power consumption	1.2W
Dimensions (HxWxD)	see drawing
Weight	140g
Certificates	CE

Optional Accessories

Image	Artikel-Nr. / Typ	Description
	VT-PS12DC-8	Plug-in Power Supply Unit 100-240VAC 12VDC (1.0Amp), Regulated, with DC Plug

Technical Drawing



Maße/Dimensions: mm

Your partner for eneo products:

