



VK-1322/SMD

Article-No.: 91988

1/3" Camera, B/W, 3.7mm,
600TVL, Smoke Detector
Housing, 12VDC

Mainfeatures

For Wall and Drop Ceiling Mount
Built-in Pinhole Lens F2.0/3.7mm
Automatic Gain Control (AGC)
Supply Voltage: 12VDC

Resolution of 600 Horizontal Lines
Electronic Shutter Control (ESC)
Internal Synchronization
Easy Installation



Specifications

System	black&white
Video standard	CCIR
Sensor size	1/3"
Imager	CCD
Imager	Sony Super HAD Interline Transfer
Synchronization	internal
Signal-to-noise ratio	48dB
Gamma correction	0.45
Horizontal resolution	600 TVL
Sensitivity (at 50% video signal)	0,23 Lux
Sensitivity (at 50% video signal)	at F1.2 (measured)
Automatic electronic shutter (ESC)	1/50 ~ 1/100,000sec.
Low speed shutter	no
Automatic gain control (AGC)	supplied
Digital Noise Reduction (DNR)	no
Backlight compensation	no
Wide Dynamic Range (WDR)	no
IR cut filter	no


Specifications (continued)

Video outputs	composite (VBS)
Lens type	fixed focal length
Lens	F2.0/3.7mm Pinhole
Focal length	3,7 mm
e-PTZ support	no
Digital zoom	no
Horizontal angle of view	68°
Iris control	no
MOD (Minimum object distance)	0,1 m
Illumination	no
Serial interfaces	no
External connections	Video (BNC), 12VDC (DC plug)
Mounting	drop ceiling mount
Temperature range (operation)	-10°C ~ +50°C
Housing material	plastic
Housing	indoor
Integrated wall mount	no
Hidden cable management	yes
Sunshield	no
Window heater	no
Colour (housing)	light grey
Vandalism resistant	no
Protection rating	-
Alarm inputs	no
Alarm outputs	-
Supply voltage	12VDC
Supply voltage	(+/-10%)
Power consumption	1.4W
Dimensions (HxWxD)	see drawing
Weight	110g
Remarks	Tilt range 0-35°
Certificates	CE

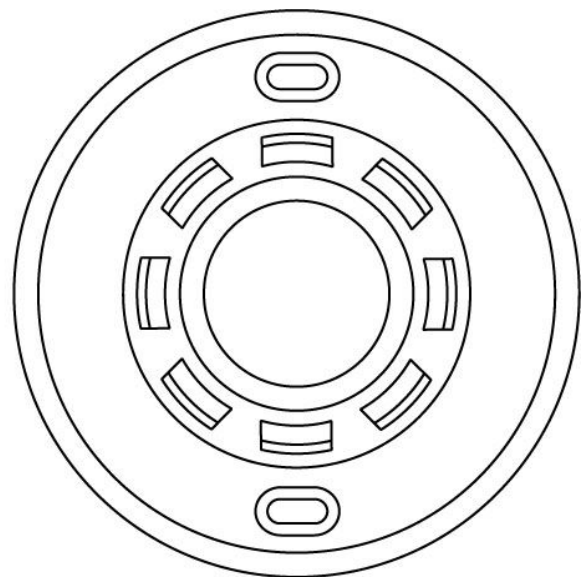
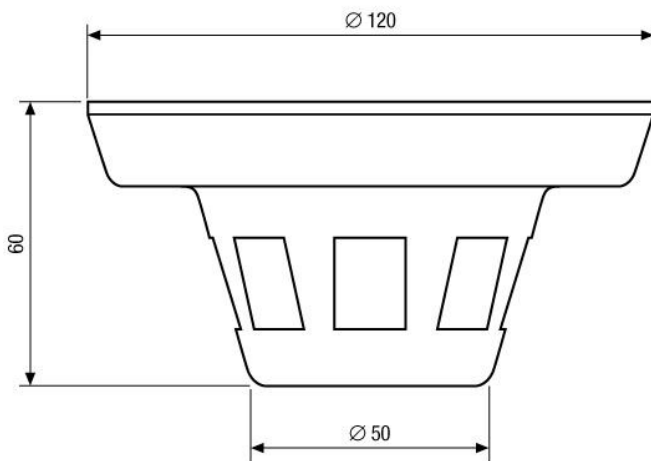
Optional Accessories

Image	Artikel-Nr. / Typ	Description
	VT-PS12DCDT1	PSU 12VDC/1.0A, Regulated, Desktop Version, 1.8m Cables each w. open ends
	VT-PS12DC-7	Plugable PSU w. Cont. & UK Mains plug-in 100-240VAC/12VDC-1.25A, Regulated

Optional Accessories (continued)

Image	Artikel-Nr. / Typ	Description
	VT-PS12DC-8	Plug-in Power Supply Unit 100-240VAC 12VDC (1.0Amp), Regulated, with DC Plug

Technical Drawing



Maße/Dimensions: mm

Your partner for eneo products:

