



VKC-1335/12-24

Article-No.: 91995



1/3" D&N, WDR, DSS Camera with Removable
IR CF, CS Mount, 12/24V, 480TVL

Mainfeatures

1/3" Progressive Scan CCD Sensor
Sensitivity of 0.0016Lux at F1.2 (DSS/Colour)
On-screen Menu Control / Camera Titel Display
High- and Low Speed Shutter Control (ESC/DSS)
Automatic/Manual/Hold White Balance Function (AWB)

Wide Dynamic Range (WDR)
Removable IR Cut Filter / Adjustable Privacy Zones
Back Light Compensation (BLC)
3x Digital Zoom and Flickerless Function
Mirror/Freeze and Positive/Negative Switching


Optional Accessories

Image	Artikel-Nr. / Typ	Description
	WD-22	Wall Mount Bracket with Ball Joint, 1/4" Camera Fixing Screw, Beige Grey
	WD-23	Wall Mount Bracket with Ball Joint, 1/4" Camera Fixing Screw, Pantone 877

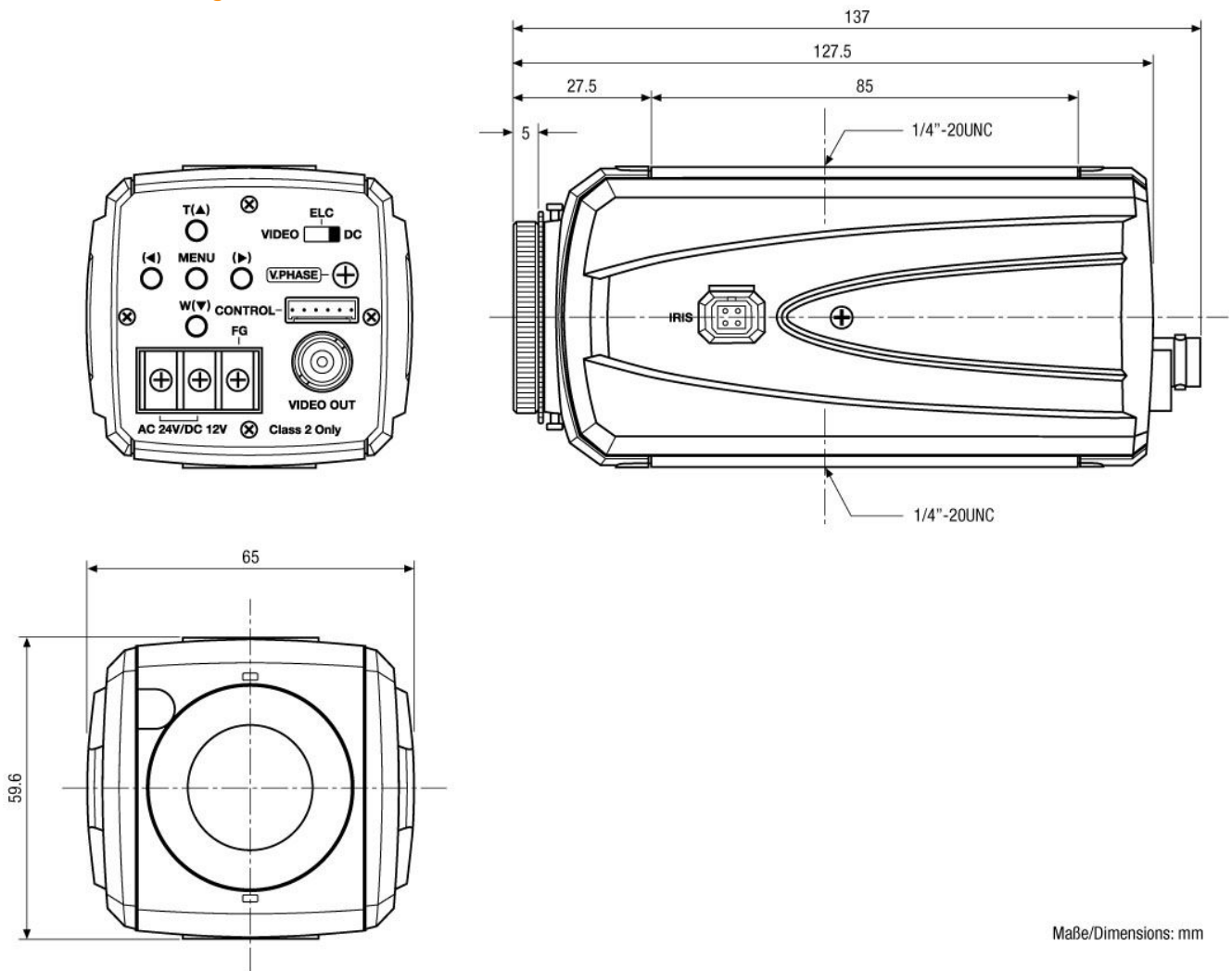
Optional Accessories (continued)

Image	Artikel-Nr. / Typ	Description
	WD-21/RAL9006	Wall Mount Bracket with Ball Joint, 1/4" Camera Fixing Screw, RAL9006
	VT-PS12DCDT	PSU 12VDC/0,5A, Regulated, Desktop Version, 1.8m Cable each w. open ends
	A04Z12NDDC-NFS	F1.2/4-12mm DC Lens/var. Focal Length with No Focus Shift, 1/2" C Mount
	A10Z04NDDC-NFS	F1.4/10-40mm DC Lens/var. Focal Length with No Focus Shift, 1/2" C Mount
	F07Z07NDDC-NFS	F1.3/7.5-50mm DC Lens/var. Focal Length with No Focus Shift, 1/3" CS Mount
	G04Z03M-NFS	F1.2/4.5-12.5mm Lens, Var. Focal Length with No Focus Shift, 1/2", CS Mount
	G04Z03NDDC-NFS	F1.2/4.5-12.5mm DC Lens/variable Focal Length, No Focus Shift, 1/2" CS Mount

Optional Accessories (continued)

Image	Artikel-Nr. / Typ	Description
	VT-PS12DC-8	Plug-in Power Supply Unit 100-240VAC 12VDC (1.0Amp), Regulated, with DC Plug

Technical Drawing



Maße/Dimensions: mm



Your partner for eneo products:

