



VKC-1339/VAR49

Article-No.: 91999

1/3" Board Camera, Colour,
4-9mm, 330TVL, 12VDC

Mainfeatures

Colour CCD board camera with varifocal lens
Resolution of 330 Horizontal Lines
Built-in lens F1.5/4-9mm with DC iris control
Automatic shutter control (ESC)
Backlight compensation (BLC)
Supply voltage: 12VDC

1/3" Super HAD CCD
Sensitivity of 0.38Lux (at F1.2)
Digital signal processing (DSP)
Automatic gain control (AGC)
Automatic white balance (ATW)
Board dimensions: 38x38mm




Specifications

System	colour
Video standard	PAL
Sensor size	1/3"
Imager	CCD
Imager	Sony Super HAD Interline Transfer
Active picture elements	290,000, 500(H) x 582(V)
Synchronization	internal
Signal-to-noise ratio	48dB
Horizontal resolution	330 TVL
Sensitivity (at 50% video signal)	0.38Lux at F1.2 (Videor measurement result)
Automatic electronic shutter (ESC)	1/50 - 1/100,000sec.
Low speed shutter	no
Automatic gain control (AGC)	yes
Digital Noise Reduction (DNR)	no
White balance	automatic
Backlight compensation	BLC

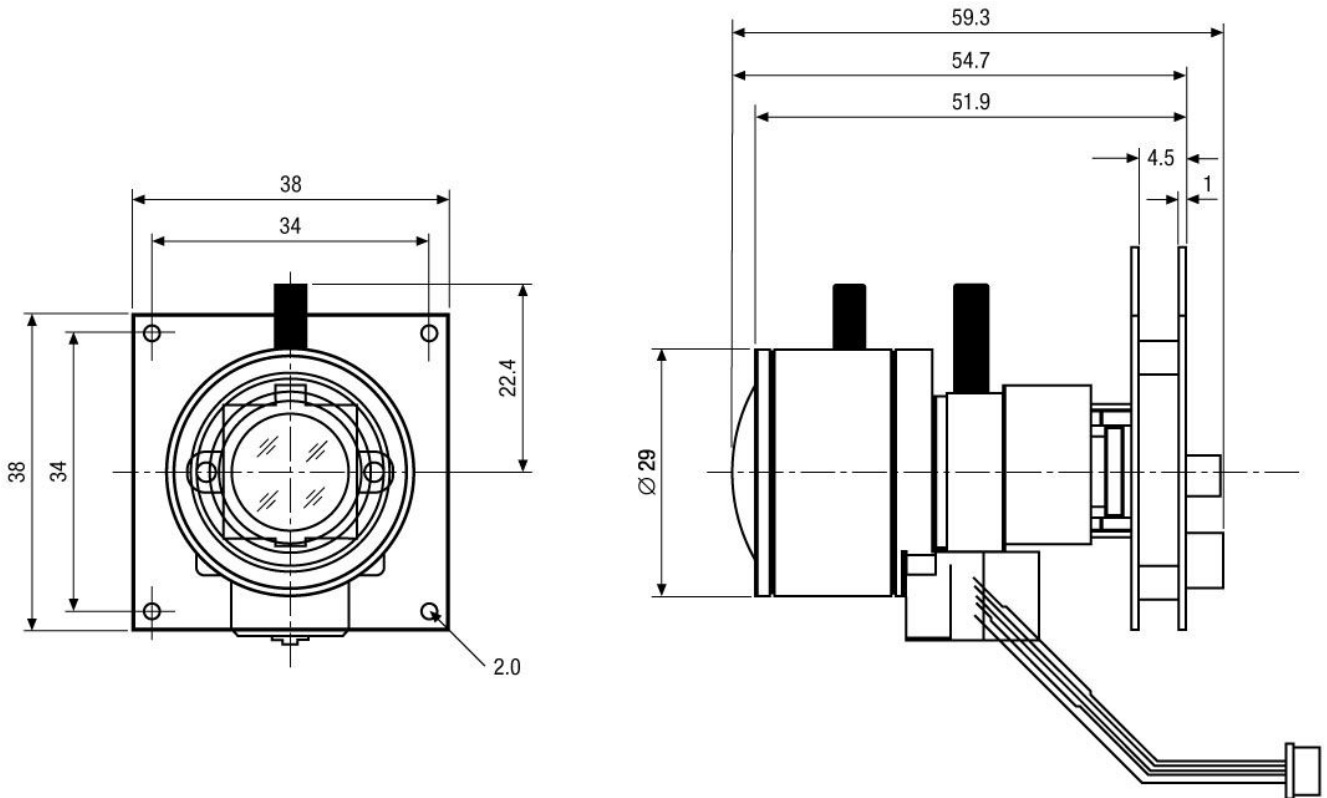
Specifications (continued)

Wide Dynamic Range (WDR)	no
IR cut filter	standard
Video outputs	composite (CVBS)
Lens type	varifocal
Lens	F1,5 - 340/4 - 9mm with galvanometer driven iris
Focal length	4 mm - 9 mm
Horizontal angle of view	71° - 31,6°
Iris control	DC
MOD (Minimum object distance)	0,5 m
Illumination	no
Serial interfaces	no
External connections	Video, 12VDC (Molex socket)
Mounting	2 Fixing holes at 48mm distance (diagonal)
Temperature range (operation)	-10°C ~ +50°C
Housing	without housing
Hidden cable management	no
Protection rating	-
Supply voltage	12VDC
Supply voltage	(9 ~ 15VDC), 12VDC ±0,5V recommended
Power consumption	1.8W max.
Dimensions (HxWxD)	see drawing
Weight	approx. 25g
Certificates	CE

Optional Accessories

Image	Artikel-Nr. / Typ	Description
	VT-PS12DCDT1	PSU 12VDC/1.0A, Regulated, Desktop Version, 1.8m Cables each w. open ends
	VT-PS12DC-7	Plugable PSU w. Cont. & UK Mains plug-in 100-240VAC/12VDC-1.25A, Regulated
	VT-PS12DC-8	Plug-in Power Supply Unit 100-240VAC 12VDC (1.0Amp), Regulated, with DC Plug

Technical Drawing



Maße/Dimensions: mm

Your partner for eneo products:

