



VKC-1421

Article-No.: 92059

1/4" Colour Camera with 22x
Zoom Lens DSP, DSS,
12VDC/24VAC, 480TVL

Mainfeatures

Integral 22x AF Zoom Lens / 10x Digital Zoom
Sensitivity of 1.54Lux at F1.2
Programmable Back Light Compensation (BLC)
Low Speed Shutter Control up to 128 Fields (DSS)
Automatic White Balance (AWB)

Resolution of 480 Horizontal Lines
On-screen Menu Control (OSD)
Manual Shutter Control (MES)
Automatic Gain Control (AGC)
Adjustable Video Transmission Distance (3 Steps)

Specifications

System	colour
Video standard	PAL
Sensor size	1/4"
Imager	CCD
Imager	1/4" Sony Super HAD Interline Transfer CCD
Active picture elements	440,000, 752(H) x 582(V)
Synchronization	internal
Signal-to-noise ratio	48dB
Horizontal resolution	480 TVL
Sensitivity (at 50% video signal)	1,54 Lux
Sensitivity (at 50% video signal)	(0.13Lux), colour and B&W. Videor measurement result at F1.2 (DSS ON/12Flds.)
Manual electronic shutter (MES)	1/50 - 1/10,000sec. (8 steps)
Low speed shutter	yes
Low speed shutter	automatic, 2 ~ 128 Fps.
Automatic gain control (AGC)	supplied
Digital Noise Reduction (DNR)	no

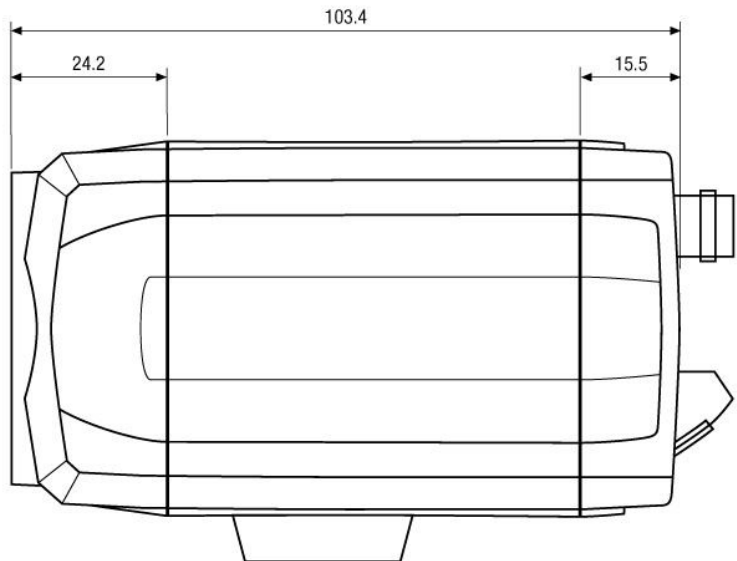
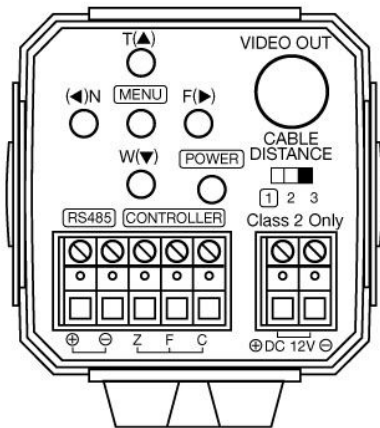
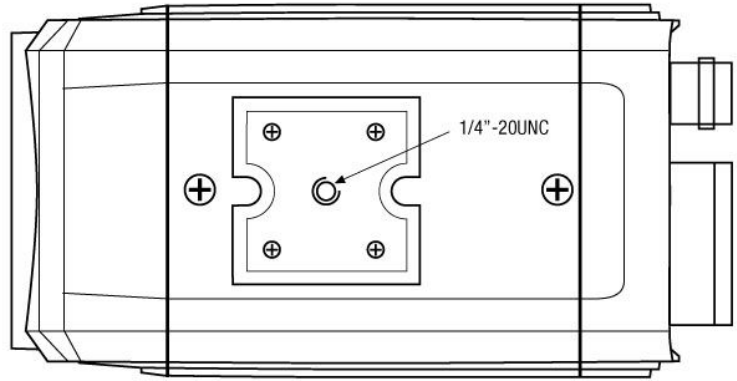
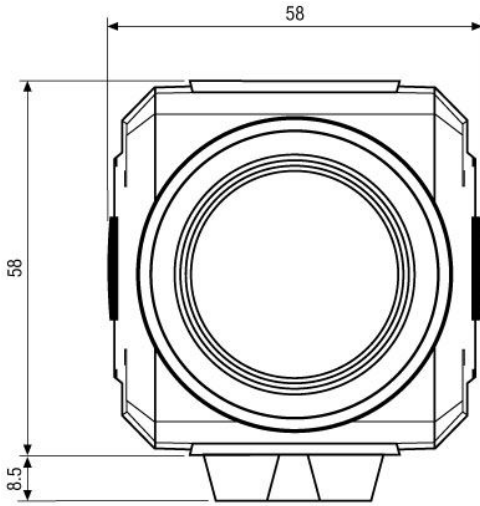
Specifications (continued)

White balance	automatic or manually
Backlight compensation	BLC
Backlight compensation	automatic, ON/OFF switchable
Wide Dynamic Range (WDR)	no
Brightness	adjustment range: 0 ~ 48
Sharpness correction	adjustment range: 0 ~ 15
IR cut filter	OLPF (Overlay Low Pass Filter)
Video outputs	composite (CVBS)
Lens type	zoom
Lens	F1.6 ~ F55/3.9 ~ 85.8mm
Focal length	3,9 mm - 85,8 mm
Digital zoom	2x - 10x
Horizontal angle of view	50° - 2,4°
Iris control	DC, auto iris
Focus control	automatic and manual
MOD (Minimum object distance)	0,5 m
Illumination	no
Menu languages	English
OSD function control	Main menu: Camera-ID no. (up to 255), B&W switching, Sharpness, Hor. mirror function, Positive/Negative switching. Focus: Autofocus ON/OFF, Zoom end positions. AWB: White balance Automatic/manual. Brightness, Shutter, BLC ON/OFF. Display: Menu ON/OFF. Initial: Camera settings ON/OFF
Menu driven set-up	ON/OFF switchable
Serial interfaces	RS-485
Serial port	(control S/W, interface protocols: Pelco D, further upon request)
External adjustments	Menu: ON/OFF Focus: Near/Far Zoom: T/W. Cable length compensation (3 steps)
External connections	Video (BNC), Power input, 5 in RS-485 Serial interface socket / ZF control
Temperature range (operation)	-5°C ~ +40°C
Housing material	plastic
Housing	indoor
Hidden cable management	no
Colour (housing)	silver grey
Protection rating	-
Supply voltage	12VDC, 24VAC
Power consumption	5.4W
Dimensions (HxWxD)	see drawing
Weight	approx. 300g
Parts supplied	Camera, Manual
Certificates	CE

Optional Accessories

Image	Artikel-Nr. / Typ	Description
	WD-18	Wall Mount with Ball Joint, 1/4" Camera Fixing Screw, beige Grey
	WD-21/RAL9006	Wall Mount Bracket with Ball Joint, 1/4" Camera Fixing Screw, RAL9006
	WD-23	Wall Mount Bracket with Ball Joint, 1/4" Camera Fixing Screw, Pantone 877
	VT-PS12DCDT1	PSU 12VDC/1.0A, Regulated, Desktop Version, 1.8m Cables each w. open ends
	VT-PS12DC-7	Plugable PSU w. Cont. & UK Mains plug-in 100-240VAC/12VDC-1.25A, Regulated
	VT-PS12DC-9	Plug-in Power Supply Unit 100-240VAC 12VDC (1.0Amp), Regulated, w. open Ends

Technical Drawing



Maße/Dimensions: mm



Your partner for eneo products:

