



VKCD-149

Article-No.: 92063

1/4" Colour Dome Camera,
Surface Mount, 16x Zoom
Lens, DSS, 12VDC/24VAC, 480TVL

Mainfeatures

For Wall and Ceiling Surface Mount
Tinted Lexan Bubble, 100mm
Integrated 16x AF Motor Zoom Lens/12x Digital Zoom
Low Speed Shutter Control up to 128 Fields (DSS)
Automatic White Balance (AWB)
Supply Voltage: 12VDC / 24VAC

Vandal and Tamper-Resistant
1/4" Colour Camera with Super HAD CCD
Back Light Compensation (BLC)
Automatic Gain Control (AGC)
RS-485 Serial Control Interface
Certified according to BGV Kassen





Specifications

System	colour
Video standard	PAL
Sensor size	1/4"
Imager	CCD
Imager	Sony Super HAD Interline Transfer
Active picture elements	440,000, 752(H) x 582(V)
Horizontal resolution	480 TVL
Synchronization	internal
Signal-to-noise ratio	48dB
Gamma correction	approx. 0.45
Sensitivity (at 50% video signal)	1.3Lux (colour), 0.75Lux (B&W). Videor measurement result at F1.2
Automatic gain control (AGC)	supplied
Manual electronic shutter (MES)	1/125 ~ 1/10,000sec. (8 steps)
Low speed shutter	yes
Low speed shutter	automatic, 2 ~ 128 Fps.

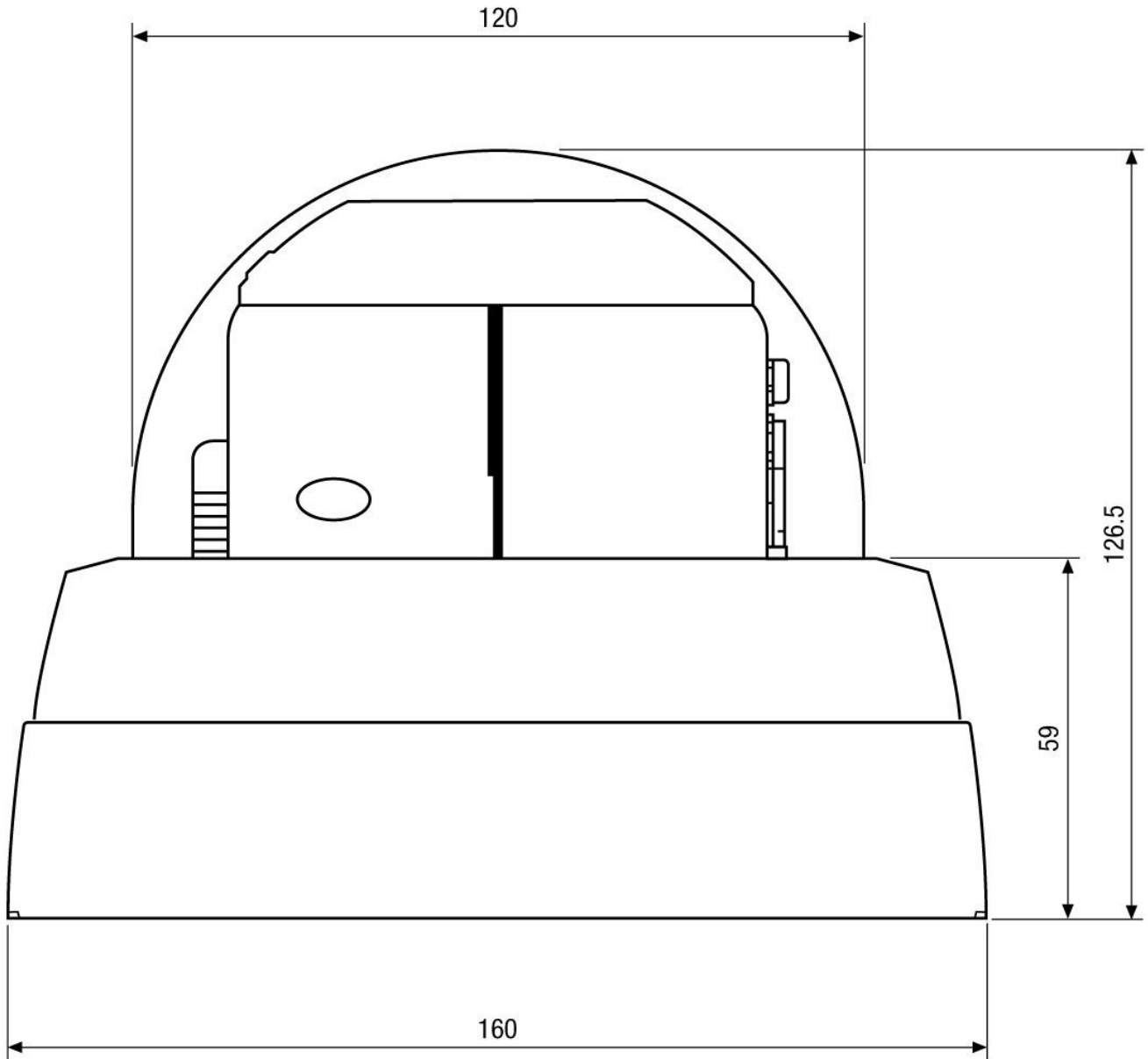
Specifications (continued)

Digital Noise Reduction (DNR)	no
Backlight compensation	BLC
Backlight compensation	ON/OFF switchable
Wide Dynamic Range (WDR)	no
Aperture Correction (APC)	horizontal and vertical
IR cut filter	standard
OSD function control	Main menu: Camera-ID no. (up to 255), B&W switching, Sharpness, Hor. mirror function, Positive/Negative switching. Focus: Autofocus ON/OFF, Zoom end positions. AWB: White balance Automatic/manual. Brightness, Shutter, BLC ON/OFF. Display: Menu ON/OFF. Initial: Camera settings ON/OFF
Digital zoom	2x ~ 12x
Lens type	zoom
Focal length	3,9 mm - 62,4 mm
Horizontal angle of view	50° - 3,3°
MOD (Minimum object distance)	0,1-1 m
Video outputs	composite (CVBS)
Video outputs	1Vp-p, CVBS, 75ohms
Rotation range	359°
Serial interfaces	RS-485
Housing	outdoor
Housing	Die-cast aluminium with clear polycarbonate bubble
Housing material	aluminium
Bubble	120mm diameter, Vandal resistant, polycarbonate with high resistance
Colour (bubble)	tinted
Colour (housing)	Pantone Cool Gray 1C
Heater	no
Mounting	ceiling mount, wall mount
Supply voltage	12VDC, 24VAC
Supply voltage	(±0.5V)
Power consumption	6.0W max.
Temperature range (operation)	-10°C ~ +50°C
Protection rating	IP65
Vandalism resistant	yes
Dimensions (HxWxD)	see drawing
Weight	1.6kg
Parts supplied	Screw set (screws with O ring), Torx key, Video service cable (Cinch), Drilling template, Manual
Certificates	DGUV test certificate, CE

Optional Accessories

Image	Artikel-Nr. / Typ	Description
	VT-PS12DCDT1	PSU 12VDC/1.0A, Regulated, Desktop Version, 1.8m Cables each w. open ends
	VT-PS12DC-7	Plugable PSU w. Cont. & UK Mains plug-in 100-240VAC/12VDC-1.25A, Regulated
	VT-PS12DC-9	Plug-in Power Supply Unit 100-240VAC 12VDC (1.0Amp), Regulated, w. open Ends
	VDOME/WB2	Wall Mount Kit for Vandalism Resistant Dome Cameras SM/VF Series

Technical Drawing



Maße/Dimensions: mm



Your partner for eneo products:

