



VKC-1344/3.8

Article-No.: 92077

1/3" Board Camera, Colour,
3.8mm, 550TVL, 12VDC

Main features

Colour CCD board camera with lens
Resolution of 550 horizontal lines
Built-in lens: F2.0/3.8mm
Automatic shutter control (ESC)
Backlight compensation (BLC)
Supply voltage: 12VDC

1/3" Super HAD CCD
Sensitivity of 0.35Lux (at F1.2)
Digital signal processing (DSP)
Automatic gain control (AGC)
Automatic white balance (AWB)
Board Dimensions: 38x38mm


Specifications

System	colour
Video standard	PAL
Sensor size	1/3"
Imager	CCD
Imager	Sony Super HAD Interline Transfer
Active picture elements	440,000, 752(H) x 582(V)
Synchronization	internal
Signal-to-noise ratio	48dB
Horizontal resolution	550 TVL
Sensitivity (at 50% video signal)	0,35 Lux
Sensitivity (at 50% video signal)	at F1.2 (measured)
Automatic electronic shutter (ESC)	1/50 - 1/100,000sec.
Low speed shutter	no
Automatic gain control (AGC)	On/Off switchable
Digital Noise Reduction (DNR)	no
Flickerless function	1/120sec. On/Off switchable



Specifications (continued)

White balance	automatic
Backlight compensation	BLC
Backlight compensation	ON/OFF switchable
Wide Dynamic Range (WDR)	no
IR cut filter	standard
Internal adjustments	AGC, BLC, ESC, Flickerless, DC-Iris level
Video outputs	composite (CVBS)
Lens type	fixed focal length
Lens	F2,0 / 3.8mm with fixed focus
Focal length	3,8 mm
e-PTZ support	no
Digital zoom	no
Horizontal angle of view	65°
Iris control	no
MOD (Minimum object distance)	0,1 m
Illumination	no
Activity detection	no
Serial interfaces	no
External connections	Video, 12VDC (Molex socket)
Mounting	2 Fixing holes at 48mm distance (diagonal)
Temperature range (operation)	-10°C ~ +50°C
Housing	without housing
Hidden cable management	no
Vandalism resistant	no
Protection rating	n/a
Alarm inputs	-
Alarm outputs	-
Supply voltage	12VDC
Supply voltage	(9 ~ 15VDC), 12VDC ±0,5V recommended
Power consumption	2.1W
Dimensions (HxWxD)	see drawing
Weight	Approx. 35g
Certificates	CE

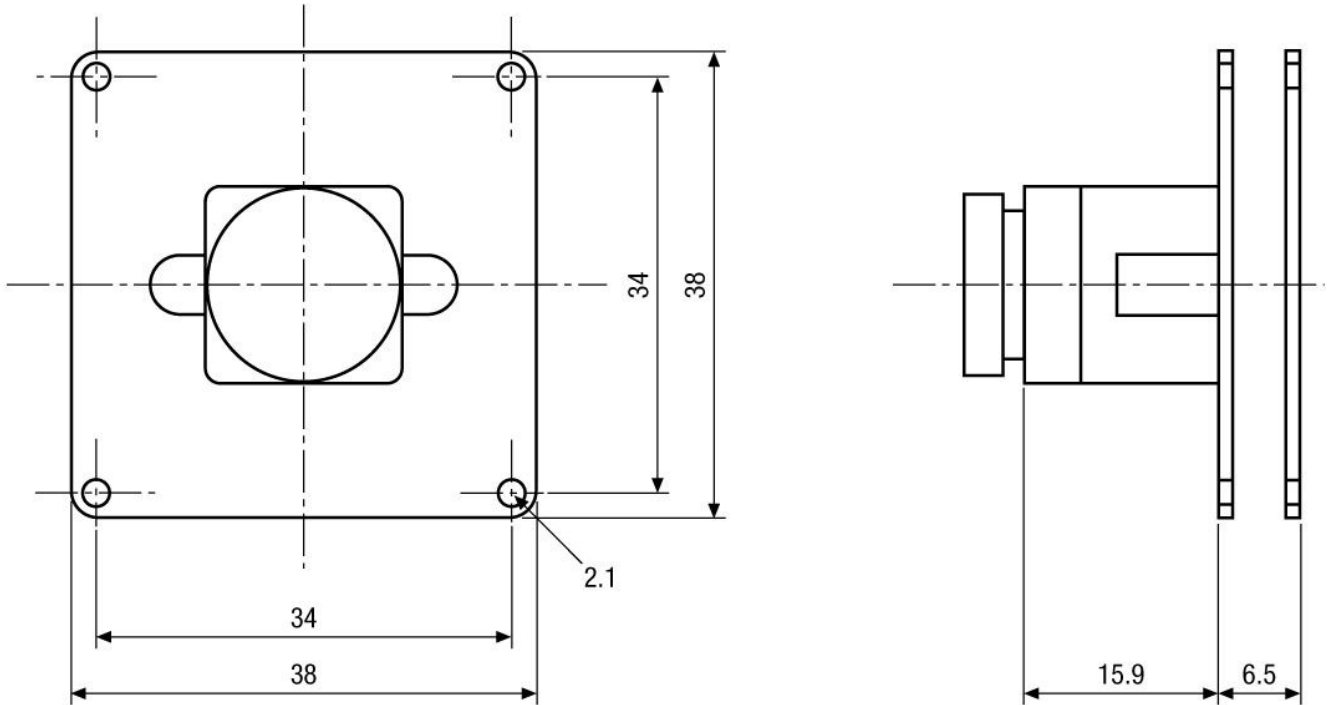
Optional Accessories

Image	Artikel-Nr. / Typ	Description
	VT-PS12DCDT1	PSU 12VDC/1.0A, Regulated, Desktop Version, 1.8m Cables each w. open ends

Optional Accessories (continued)

Image	Artikel-Nr. / Typ	Description
	VT-PS12DC-7	Plugable PSU w. Cont. & UK Mains plug-in 100-240VAC/12VDC-1.25A, Regulated
	VT-PS12DC-8	Plug-in Power Supply Unit 100-240VAC 12VDC (1.0Amp), Regulated, with DC Plug

Technical Drawing



Maße/Dimensions: mm

Your partner for eneo products:

