



VKC-1341A/12-24

Article-No.: 92078

1/3" Day&Night Camera, 540TVL,
12VDC/24VAC

Mainfeatures

1/3" Super HAD colour CCD sensor
Sensitivity of 0.23Lux at F1.2
Selectable gain control (AGC)
High and low speed shutter control (MES/ESC/DSS)
Privacy masking/Mirror function/Motion detection
Auto iris and DC iris control

Horizontal resolution of 540 TV lines
Digital noise reduction (DNR)
Selectable backlight compensation zones (BLC)
On-screen menu control / Camera title display
Picture sharpness and flickerless adjustment
CS mount / Supply voltage: 12VDC or 24VAC





Specifications

| | |
|------------------------------------|-------------------------------------|
| System | day&night |
| Video standard | CCIR/PAL |
| Sensor size | 1/3" |
| Imager | CCD |
| Imager | Sony Super HAD Interline Transfer |
| Active picture elements | 470,000, 795(H) x 596(V) |
| Horizontal resolution | 540 TVL |
| Synchronization | Line lock or internal |
| Signal-to-noise ratio | 50dB (AGC OFF) |
| Gamma correction | 0.45 |
| Sensitivity (at 50% video signal) | 0,23 Lux |
| Sensitivity (at 50% video signal) | (colour and B&W) at F1.2 (measured) |
| Automatic electronic shutter (ESC) | 1/50 ~ 1/120,000sec. |
| Manual electronic shutter (MES) | 1/50 ~ 1/120,000sec. |
| Low speed shutter | yes |
| Low speed shutter | OFF, Automatic: 2 ~ 128 fps. |

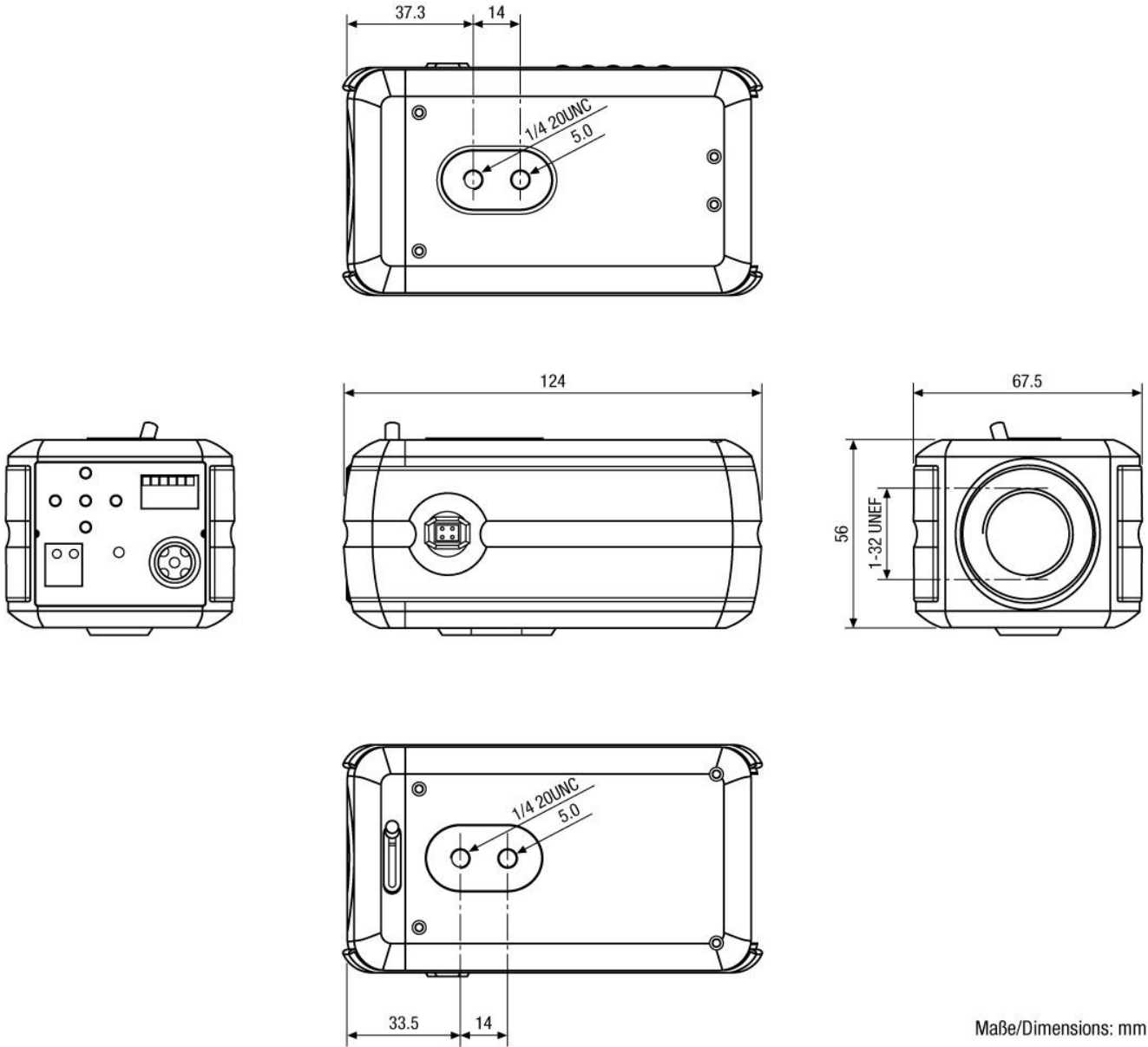
Specifications (continued)

| | |
|-------------------------------|---|
| Digital Noise Reduction (DNR) | yes |
| Backlight compensation | BLC |
| Backlight compensation | OFF/Low/Mid/High selectable |
| Wide Dynamic Range (WDR) | no |
| White balance | automatic (AWB/ATW): 1800K ~ 10500K Manual: R-gain, B-gain, adjustable and lockable |
| Aperture Correction (APC) | horizontal and vertical |
| Flickerless function | 1/120sec. On/Off switchable |
| IR cut filter | OLPF (Overlay Low Pass Filter) |
| Day/Night switching | via menu |
| Privacy zones masking | ON/OFF switchable |
| OSD function control | Colour/B&W, AGC, DNR, Mirror (hor.), BLC, White balance, AI/DC Iris, Sharpness, ESC/MES, Shutter speed, Flickerless, Privacy zones ON/OFF, Camera ID, Default/Preset camera title On/Off switchable |
| Text display | yes |
| Activity detection | yes |
| Motion detector | 4 zones, ON/OFF switchable |
| Digital zoom | no |
| e-PTZ support | no |
| Lens mount | CS mount |
| Iris control | Manual iris, Auto-Iris/DC controlled |
| Auto exposure | Automatic/Manual Shutter/AGC/Flickerless |
| Illumination | no |
| External adjustments | Menu, Cursor Up/Down/Left/Right, Flange focus |
| Video outputs | composite (CVBS) |
| Video outputs | 1Vp-p, 75ohms, BNC |
| External connections | Video (BNC), Auto Iris/DC Iris, Power input (2 pin) |
| Serial interfaces | no |
| Camera mount | 1/4" - 20 UNC thread on top and bottom |
| Alarm inputs | no |
| Alarm outputs | no |
| Supply voltage | 12VDC, 24VAC |
| Power consumption | 3.5W |
| Housing | indoor |
| Colour | Pantone 877C, Side wings: Pantone Cool Gray 11C |
| Hidden cable management | no |
| Vandalism resistant | no |
| Protection rating | n/a |
| Temperature range (operation) | -10°C ~ +50°C |
| Dimensions (HxWxD) | see drawing |
| Weight | approx. 300g |
| Parts supplied | Camera, C/CS Mount ring, 4-pin lens plug, Manual |
| Certificates | CE |

Optional Accessories

| Image | Artikel-Nr. / Typ | Description |
|---|-------------------|---|
|  | WD-23 | Wall Mount Bracket with Ball Joint, 1/4" Camera Fixing Screw, Pantone 877 |
|  | F03Z2.6DC-NFSHR | F1.0/3-8mm DC Lens, Varifocal, No Focus Shift, High Resolution, 1/3" CS Mount |
|  | VT-PS12DC-9 | Plug-in Power Supply Unit 100-240VAC 12VDC (1.0Amp), Regulated, w. open Ends |
|  | VTL-WWD | Weatherproof Housing (300mm) RAL9002, Wallbracket, Thermostat, Heater 12-24V |

Technical Drawing



Maße/Dimensions: mm



Your partner for eneo products:

