



VKC-1340A

Article-No.: 92088

1/3" Day&Night Camera, 540TVL,
100-240VAC, UTP

Mainfeatures

Horizontal resolution of 540 TV lines (b&w)
Removable IR cut filter
Selectable backlight compensation zones (BLC)
On-screen menu control / Camera title display
Auto iris and DC iris control
Coaxial and UTP video output

Sensitivity of 0.14Lux at F1.2 (b&w)
Automatic gain control (AGC)
Manual and automatic shutter control (MES/ESC)
Specials: Privacy masking, mirror function
RS-285 interface / External day/night switching
CS mount / Supply voltage: 100 to 240VAC

Specifications

System	day&night
Video standard	CCIR/PAL
Sensor size	1/3"
Imager	CCD
Imager	Sony Super HAD Interline Transfer
Active picture elements	470,000, 795(H) x 596(V)
Horizontal resolution	540 TVL
Horizontal resolution	(colour), 560 TVL (B&W). Normal/High selectable
Synchronization	Line lock or internal
Signal-to-noise ratio	50dB (AGC OFF)
Gamma correction	0.45
Sensitivity (at 50% video signal)	0,25 Lux
Sensitivity (at 50% video signal)	(colour), 0.14Lux (B&W) at F1.2 (measured)
Automatic electronic shutter (ESC)	1/50 ~ 1/100,000sec.
Manual electronic shutter (MES)	1/50 ~ 1/100,000sec.
Low speed shutter	no





Specifications (continued)

Digital Noise Reduction (DNR)	no
Backlight compensation	BLC
Backlight compensation	center/top/bottom and OFF
Wide Dynamic Range (WDR)	no
White balance	automatic (AWB/ATW) selectable for indoor and outdoor, or manual
Aperture Correction (APC)	horizontal and vertical
Flickerless function	1/120sec., On/Off switchable
IR cut filter	switchable
Day/Night switching	By external contact closure
Privacy zones masking	ON/OFF switchable
OSD function control	Colour/B&W, AGC, Mirror (hor.), Positive/Negative. B&W External ON/OFF, BLC, White balance, AI/DC Iris, ESC, Colour rolling ON/OFF, Privacy zones ON/OFF, Camera ID, Default/Preset
Text display	title, camera ID and status
Activity detection	no
Digital zoom	no
e-PTZ support	no
Lens mount	CS mount
Iris control	Manual iris, Auto-Iris/DC controlled
Auto exposure	Automatic/Manual Shutter/AGC
Illumination	no
External adjustments	Menu, Cursor Up/Down/Left/Right, Video output selection Standard/Twisted-pair, Flange focus
Video outputs	composite (CVBS), UTP
Video outputs	1Vp-p, CVBS or VBS, 75ohms (asymmetrical) Twisted-pair output 1Vp-p, 124ohms (symmetrical) Y/C: Y= 0.7Vss, C= 0.3Vss, 75ohms
External connections	Video (BNC), Y/C (4 pin), Twisted-pair video (2 pin), Serial interfaces, Power input (2 pin)
Serial interfaces	RS-485
Camera mount	1/4" - 20 UNC thread on top and bottom
Alarm inputs	no
Alarm outputs	no
Supply voltage	230VAC
Supply voltage	100 ~ 240VAC +/-10%, 50/60Hz
Power consumption	5.5W
Housing	indoor
Colour	Pantone 877C, Side wings: Pantone Cool Gray 11C
Hidden cable management	no
Vandalism resistant	no
Protection rating	n/a
Temperature range (operation)	-10°C ~ +50°C
Dimensions (HxWxD)	see drawing
Weight	approx. 310g
Parts supplied	4-pin plug, C/CS mount ring
Certificates	CE

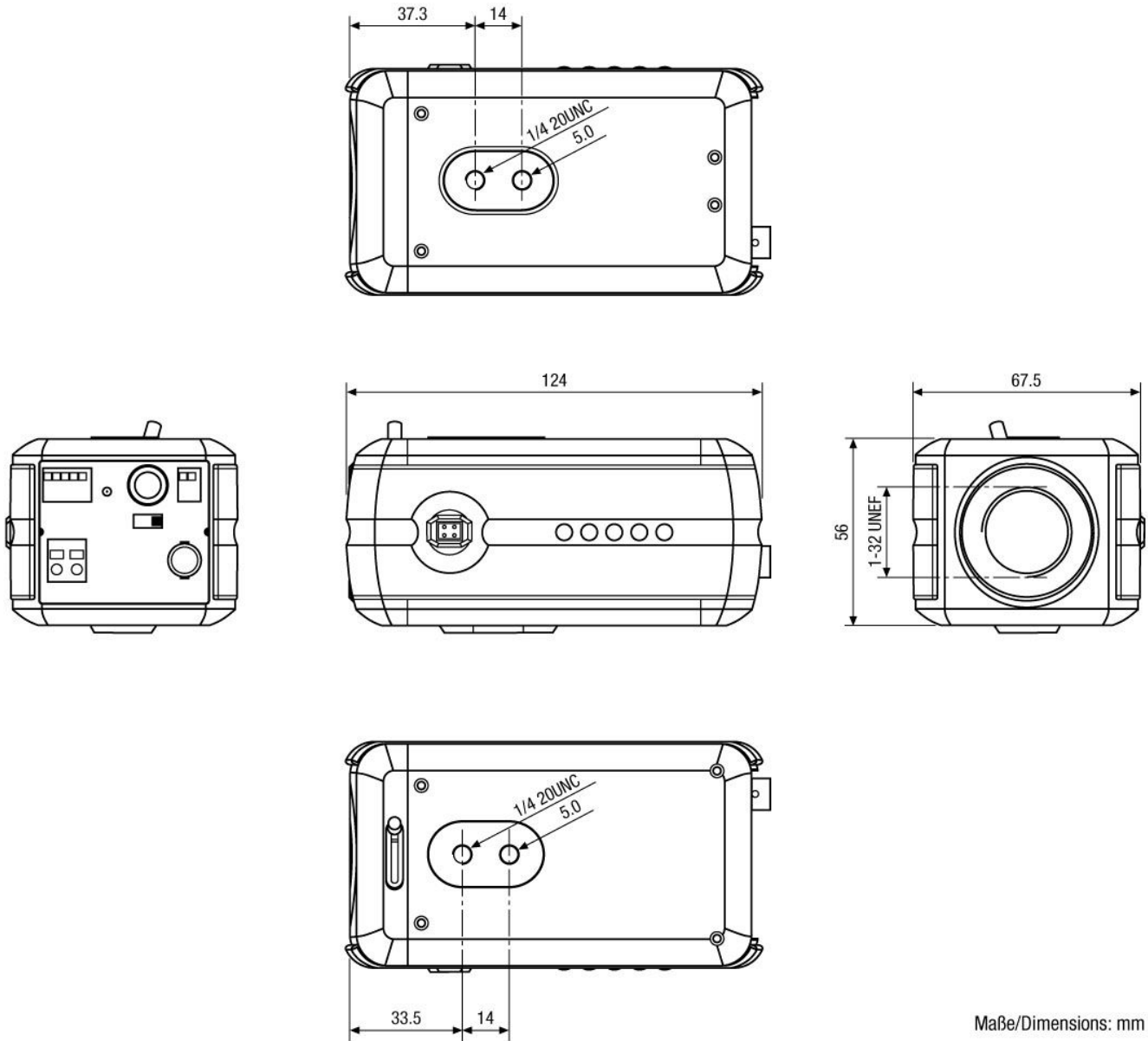
Optional Accessories

Image	Artikel-Nr. / Typ	Description
	WD-23	Wall Mount Bracket with Ball Joint, 1/4" Camera Fixing Screw, Pantone 877
	WD-22	Wall Mount Bracket with Ball Joint, 1/4" Camera Fixing Screw, Beige Grey
	WD-13-WA	Ceiling Mount with Ball Joint, 1/4" Camera Fixing Screw, RAL9006
	WD-13/E-WA	Ceiling Mount w. Ball Joint, extendable 1/4" Camera Fixing Screw, RAL9006
	YV5X2.7R4B-SA2L	F1.3/2.7-13.5mm DC Varifocal Lens, No Focus Shift, 1/3" CS Mount
	F03Z2.710DC-NFS	F1.0/3-8mm DC Lens/var. Focal Length with No Focus Shift, 1/3" CS Mount
	F03Z2.6DC-NFSHR	F1.0/3-8mm DC Lens, Varifocal, No Focus Shift, High Resolution, 1/3" CS Mount

Optional Accessories (continued)

Image	Artikel-Nr. / Typ	Description
	G04Z03NDDC-NFS	F1.2/4.5-12.5mm DC Lens/variable Focal Length, No Focus Shift, 1/2" CS Mount
	YV10X5HR4A-SA2L	F1.6/5-50mm Megapixel DC Lens, 1/3", Varifocal, No Focus Shift, CS Mount
	F07Z07NDDC-NFS	F1.3/7.5-50mm DC Lens/var. Focal Length with No Focus Shift, 1/3" CS Mount
	A10Z04NDDC-NFS	F1.4/10-40mm DC Lens/var. Focal Length with No Focus Shift, 1/2" C Mount

Technical Drawing



Maße/Dimensions: mm



Your partner for eneo products:

