



## VKC-1422

Article-No.: 92089

1/4" Camera, Day&Night, 30x,  
480TVL, 12VDC

### Mainfeatures

1/4" Sony Super HAD CCD  
Lens F1.6/3.3-99mm / Removable IR cut filter  
On-screen menu control (OSD)  
High and low speed shutter control (MES/DSS)  
Automatic gain control (AGC)  
RS-485 interface (Pelco D protocol)

Integral 30x AF zoom lens / 10x digital zoom  
Sensitivity of 1.0Lux at F1.2  
Backlight compensation (BLC)  
Low speed shutter control up to 128 fields (DSS)  
Automatic white balance (AWB)  
Supply voltage: 12VDC

### Specifications

System	day&night
Video standard	CCIR/PAL
Sensor size	1/4"
Imager	CCD
Imager	1/4" Sony Super HAD Interline Transfer CCD
Active picture elements	440,000, 752(H) x 582(V)
Synchronization	internal
Signal-to-noise ratio	48dB
Horizontal resolution	480 TVL
Sensitivity (at 50% video signal)	0,36 Lux
Sensitivity (at 50% video signal)	(colour); 0.25Lux (B&W) at F1.2 (measured)
Automatic electronic shutter (ESC)	no
Manual electronic shutter (MES)	1/50 ~ 1/10,000sec. (8 steps)
Low speed shutter	yes
Low speed shutter	automatic, 2 ~ 128 Fps.
Automatic gain control (AGC)	0 ~ 255, adjustable

## Specifications (continued)

Digital Noise Reduction (DNR)	no
White balance	automatic or manually
Backlight compensation	BLC
Backlight compensation	standard and weighted
Wide Dynamic Range (WDR)	no
Brightness	adjustment range: 0 - 48
Sharpness correction	adjustment range: 0 - 15
IR cut filter	switchable
Video outputs	composite (CVBS)
Lens type	zoom
Lens	F1.6 - F70/3.3 - 99mm
Focal length	3,3 mm - 99 mm
e-PTZ support	no
Digital zoom	2x - 10x
Horizontal angle of view	58° - 2,2°
Iris control	DC, auto iris
Focus control	automatic and manual
MOD (Minimum object distance)	1,0 m
Illumination	no
Menu languages	English
OSD function control	Main menu: Camera-ID no. (up to 255), BLC, D&N, AE: Sharpness, Hor. mirror function, Brightness, Flickerless, Shutter, Auto-Iris. Focus: Autofocus ON/OFF, Zoom end positions. AWB: White balance Automatic/manual. Display: Menu ON/OFF. Initial: Camera settings ON/OFF
Menu driven set-up	ON/OFF switchable
Activity detection	no
Serial interfaces	RS-485
Serial port	(control S/W, interface protocols: Pelco D, further upon request)
External adjustments	Menu: ON/OFF Focus: Near/Far Zoom: T/W. Cable length compensation (3 steps)
External connections	Video (BNC), Power input, 5 in RS-485 Serial interface socket / ZF control
Temperature range (operation)	+5°C ~ +40°C
Housing material	plastic
Housing	indoor
Integrated wall mount	no
Hidden cable management	no
Sunshield	no
Window heater	no
Colour (housing)	silver grey
Vandalism resistant	no
Protection rating	n/a
Alarm inputs	-
Alarm outputs	-
Supply voltage	12VDC
Supply voltage	(10 - 15V), 12VDC ±0,5V recommended
Power consumption	4.6W

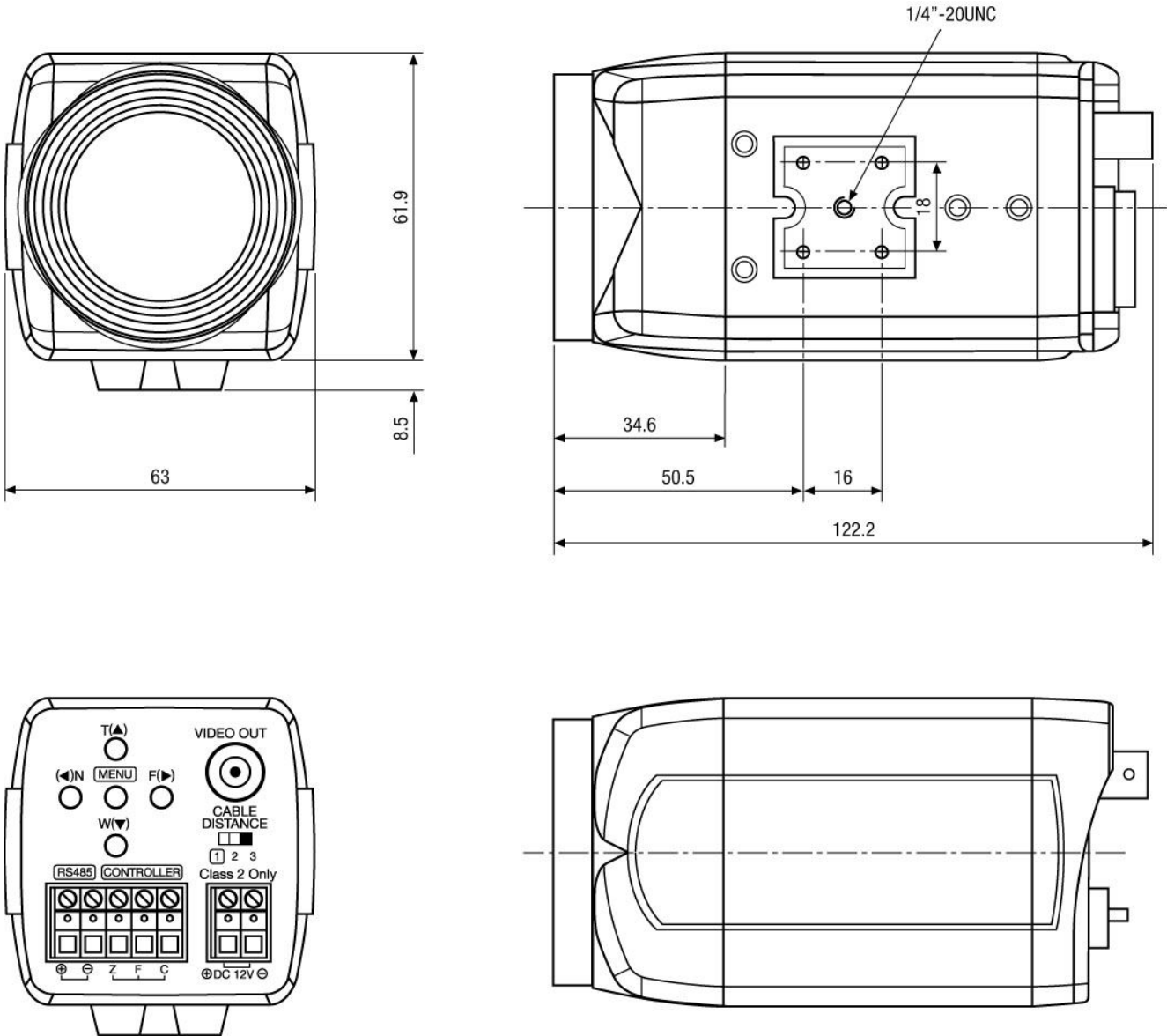
## Specifications (continued)

Dimensions (HxWxD)	see drawing
Weight	approx. 330g
Parts supplied	Camera, Manual
Certificates	CE

## Optional Accessories

Image	Artikel-Nr. / Typ	Description
	WD-23	Wall Mount Bracket with Ball Joint, 1/4" Camera Fixing Screw, Pantone 877
	WD-21/RAL9006	Wall Mount Bracket with Ball Joint, 1/4" Camera Fixing Screw, RAL9006
	WD-18	Wall Mount with Ball Joint, 1/4" Camera Fixing Screw, beige Grey
	VT-PS12DCDT1	PSU 12VDC/1.0A, Regulated, Desktop Version, 1.8m Cables each w. open ends
	VT-PS12DC-7	Plugable PSU w. Cont. & UK Mains plug-in 100-240VAC/12VDC-1.25A, Regulated
	VT-PS12DC-9	Plug-in Power Supply Unit 100-240VAC 12VDC (1.0Amp), Regulated, w. open Ends

## Technical Drawing



Maße/Dimensions: mm



Your partner for eneo products:

