

VKC-1343/IR

Article-No.: 92091

1/3" Day&Night Camera, IR
Illumination F1.5/9-22mm,
480TVL, 12VDC/24VAC

Mainfeatures

1/3" Sony Super HAD CCD Sensor
Automatic Gain Control (AGC)
Automatic Tracking White Balance (ATW)
Integral Varifocal Lens F1.5/9-22mm
IR Illumination by 40 integral 850nm LEDs
Supply Voltage 12VDC/24VAC

Sensitivity of 0.28 Lux at F1.2 (Colour)
Backlight Compensation (BLC)
High and LowSpeed Shutter Control (ESC/DSS)
DC Iris Control / Removable IR Cut Filter
Illumination Range approx. 50m
Protection Rating IP67





Specifications

System	day&night
Video standard	CCIR/PAL
Sensor size	1/3"
Imager	CCD
Imager	Sony Super HAD Interline Transfer
Active picture elements	440,000, 752(H) x 582(V)
Synchronization	Internal/AC line lock
Signal-to-noise ratio	48dB
Horizontal resolution	480 TVL
Sensitivity (at 50% video signal)	0.28Lux (colour), 0.03Lux (B&W). Videor measurement result at F1.2 and 8x DSS)
Automatic electronic shutter (ESC)	1/50 - 1/100,000sec.
Low speed shutter	yes
Automatic gain control (AGC)	28dB / 32dB max.
Digital Noise Reduction (DNR)	no
White balance	automatic (2000K - 8000K)

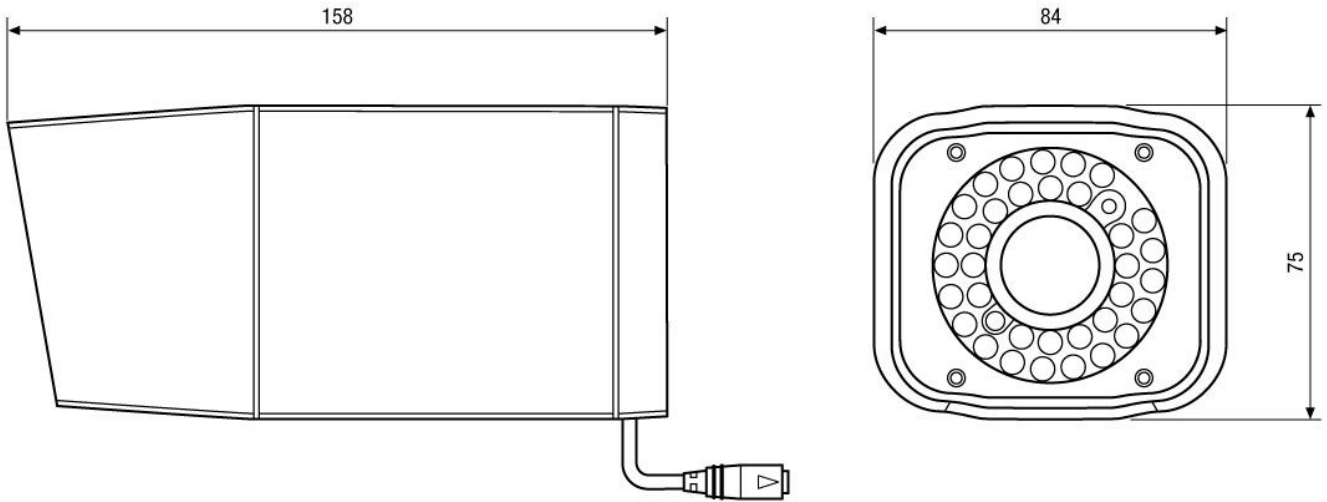
Specifications (continued)

Backlight compensation	BLC
Backlight compensation	center weighted
Wide Dynamic Range (WDR)	no
IR cut filter	switchable
Internal adjustments	Internal/Line-lock synchronisation, ELC/ALC (Shutter/Auto-Iris), Automatic Day/Night switching ON/OFF, DSS 8x/16x, Focus & Zoom adjustment, V-phase adjustment (24VAC only), Video level (DC Iris)
Video outputs	composite (CVBS)
Lens type	varifocal
Lens	F1.5 - 270 / 9 - 22mm
Focal length	9 mm - 22 mm
Horizontal angle of view	30,6° - 13°
Iris control	DC, auto iris
MOD (Minimum object distance)	0,2 m
Illumination	infrared
Illumination	40x LED's 850nm. Due to an integrated light sensor the LED illumination will be switched ON/OFF, depending on environmental illumination conditions
Illumination range	approx. 50m (at a good light reflection and 40% video signal)
Serial interfaces	no
External connections	Video (BNC), 2 pin power input
Temperature range (operation)	-30°C - +50°C
Housing material	plastic
Housing	outdoor
Integrated wall mount	no
Hidden cable management	no
Sunshield	no
Window heater	no
Colour (housing)	Pantone 877C
Protection rating	IP67
Supply voltage	12VDC, 24VAC
Supply voltage	(10.5-30VDC, 18-28.8VAC
Power consumption	10W max.
Dimensions (HxWxD)	see drawing
Weight	approx. 1.0kg
Parts supplied	Camera, Manual, "Easy installation" adapter cable, Heat shrink tube
Certificates	CE

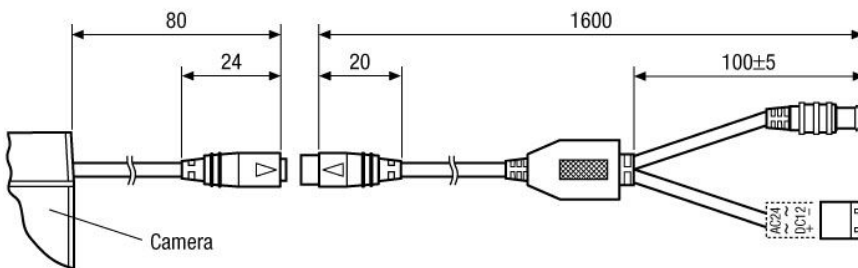
Optional Accessories

Image	Artikel-Nr. / Typ	Description
	VKC-1343/WD1	Wall Mount Bracket for VKC-1343/IR
	VT-PS12DCDT1	PSU 12VDC/1.0A, Regulated, Desktop Version, 1.8m Cables each w. open ends
	VT-PS12DC-7	Plugable PSU w. Cont. & UK Mains plug-in 100-240VAC/12VDC-1.25A, Regulated
	VT-PS12DC-9	Plug-in Power Supply Unit 100-240VAC 12VDC (1.0Amp), Regulated, w. open Ends

Technical Drawing



Easy Installation cable



Maße/Dimensions: mm

Your partner for eneo products:

