



VKCD-1317FMH/VF

Article-No.: 92096

1/3" Dome, Fixed, Day&Night,
tinted, 3.8-9.5mm, 550TVL,
12VDC/24VAC, Heater

Mainfeatures

For Wall and In-ceiling Mount
Tinted Lexan Bubble 100mm, with Heater
Integrated F1.2/3.8-9.5mm Varifocal DC Iris Lens
Digital Signal Processing (DSP)
Automatic White Balance (ATW)
For Easy Indoor and Outdoor Installation (IP65)

Vandal and Tamper-Resistant
1/3" Board Camera with Super HAD CCD
Resolution of 550 Horizontal Lines
Back Light Compensation (BLC)
Manual 3-axis Camera Adjustment
Supply Voltage 12VDC/24VAC



Specifications

System	day&night
Video standard	CCIR/PAL
Sensor size	1/3"
Imager	CCD
Imager	Sony Super HAD Interline Transfer
Active picture elements	440,000, 752(H) x 582(V)
Horizontal resolution	550 TVL
Synchronization	internal
Signal-to-noise ratio	48dB
Gamma correction	approx. 0.45
Sensitivity (at 50% video signal)	0,8 Lux
Sensitivity (at 50% video signal)	(colour), 0.56Lux (B&W) at F1.2 (measured)
Automatic gain control (AGC)	On/Off switchable
Low speed shutter	no
Digital Noise Reduction (DNR)	no
Backlight compensation	BLC



Specifications (continued)

Backlight compensation	ON/OFF switchable
Wide Dynamic Range (WDR)	no
Aperture Correction (APC)	horizontal and vertical
Flickerless function	On/Off switchable
IR cut filter	switchable
Activity detection	no
Lens type	varifocal
Focal length	3,8 mm - 9,5 mm
Horizontal angle of view	65° - 30°
MOD (Minimum object distance)	0,15 m
Video outputs	composite (CVBS)
Video outputs	1Vp-p, (C)VBS, 75ohms, BNC
Rotation range	359°
Serial interfaces	no
Housing	outdoor
Housing	Die-cast aluminium with tinted polycarbonate bubble
Housing material	aluminium
Bubble	100mm diameter, Vandal resistant 3mm -tinted- polycarbonate with high resistance
Colour (bubble)	tinted
Colour (housing)	Pantone Cool Gray 1C
Heater	yes
Mounting	flush mount, wall mount
Supply voltage	12VDC, 24VAC
Power consumption	3.0W max. (camera only)
Temperature range (operation)	-10°C ~ +50°C
Protection rating	IP65
Vandalism resistant	yes
Dimensions (HxWxD)	see drawing
Weight	approx. 840g
Certificates	CE

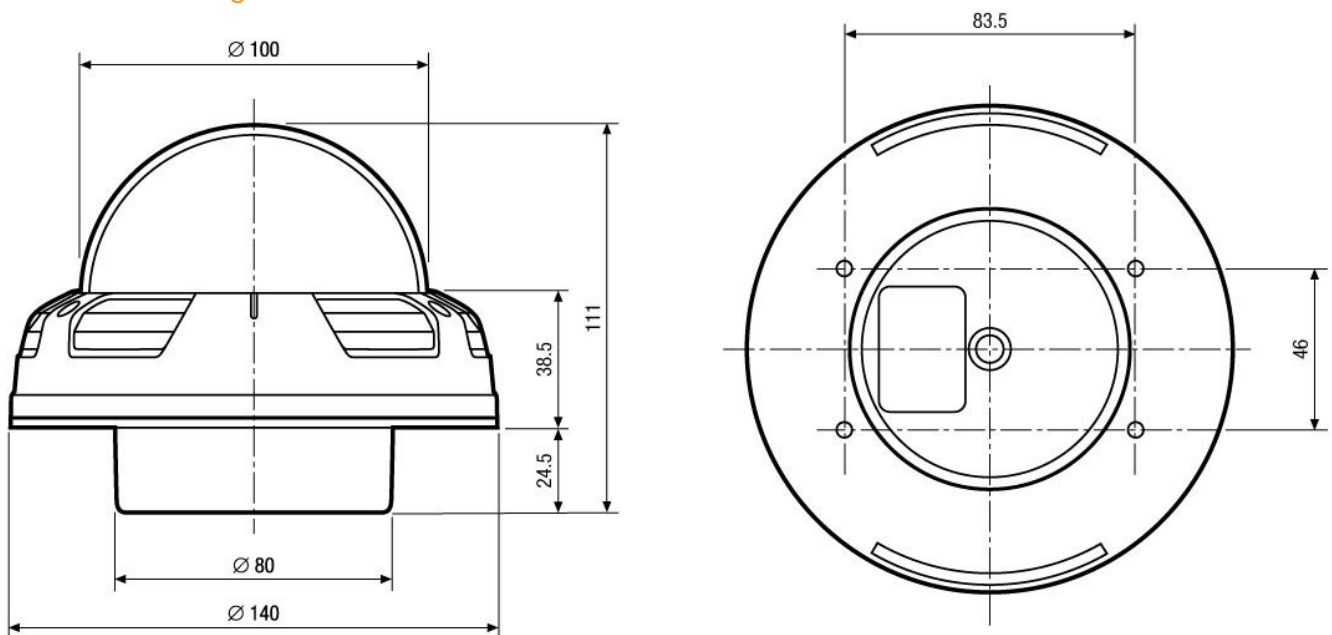
Optional Accessories

Image	Artikel-Nr. / Typ	Description
	VT-PS12DCDT1	PSU 12VDC/1.0A, Regulated, Desktop Version, 1.8m Cables each w. open ends
	3/4" - M25X1.5	Thread Adapter 3/4" - Conduit Connection M25x1.5mm for Dome Surface Mount Housing

Optional Accessories (continued)

Image	Artikel-Nr. / Typ	Description
	VT-PS12DC-7	Plugable PSU w. Cont. & UK Mains plug-in 100-240VAC/12VDC-1.25A, Regulated
	VT-PS12DC-8	Plug-in Power Supply Unit 100-240VAC 12VDC (1.0Amp), Regulated, with DC Plug

Technical Drawing



Maße/Dimensions: mm



Your partner for eneo products:

