



VKC-1353/IR

Article-No.: 92098

1/3" Camera, Day&Night,
F1.2/3.8-9.5mm, 550TVL, IR
Illumination, 12VDC/24VAC

Mainfeatures

1/3" Sony Super HAD CCD
Automatic gain control (AGC)
Super digital noise reduction (SDNR)
Integral varifocal lens: F1.2/3.8-9.5mm
Automatic white balance (AWB)
Illumination range: approx. 5m

Removable IR cut filter
Backlight compensation (BLC) /Flickerless function
Low speed shutter control (DSS)
Auto iris control
IR illumination by 7 integral 850nm LEDs
Supply voltage: 12VDC or 24VAC




Specifications

System	day&night
Video standard	CCIR/PAL
Sensor size	1/3"
Imager	CCD
Imager	Sony Super HAD Interline Transfer CCD
Active picture elements	440,000 (H) 752 x (V) 582
Synchronization	internal
Signal-to-noise ratio	46db (AGC OFF)
Horizontal resolution	550 TVL
Sensitivity (at 50% video signal)	0,46 Lux
Sensitivity (at 50% video signal)	(colour), 0.31Lux (B&W) at F1.2 (measured)
Automatic electronic shutter (ESC)	1/50 - 1/100,000sec.
Low speed shutter	yes
Automatic gain control (AGC)	supplied
Digital Noise Reduction (DNR)	yes
Flickerless function	On/Off switchable

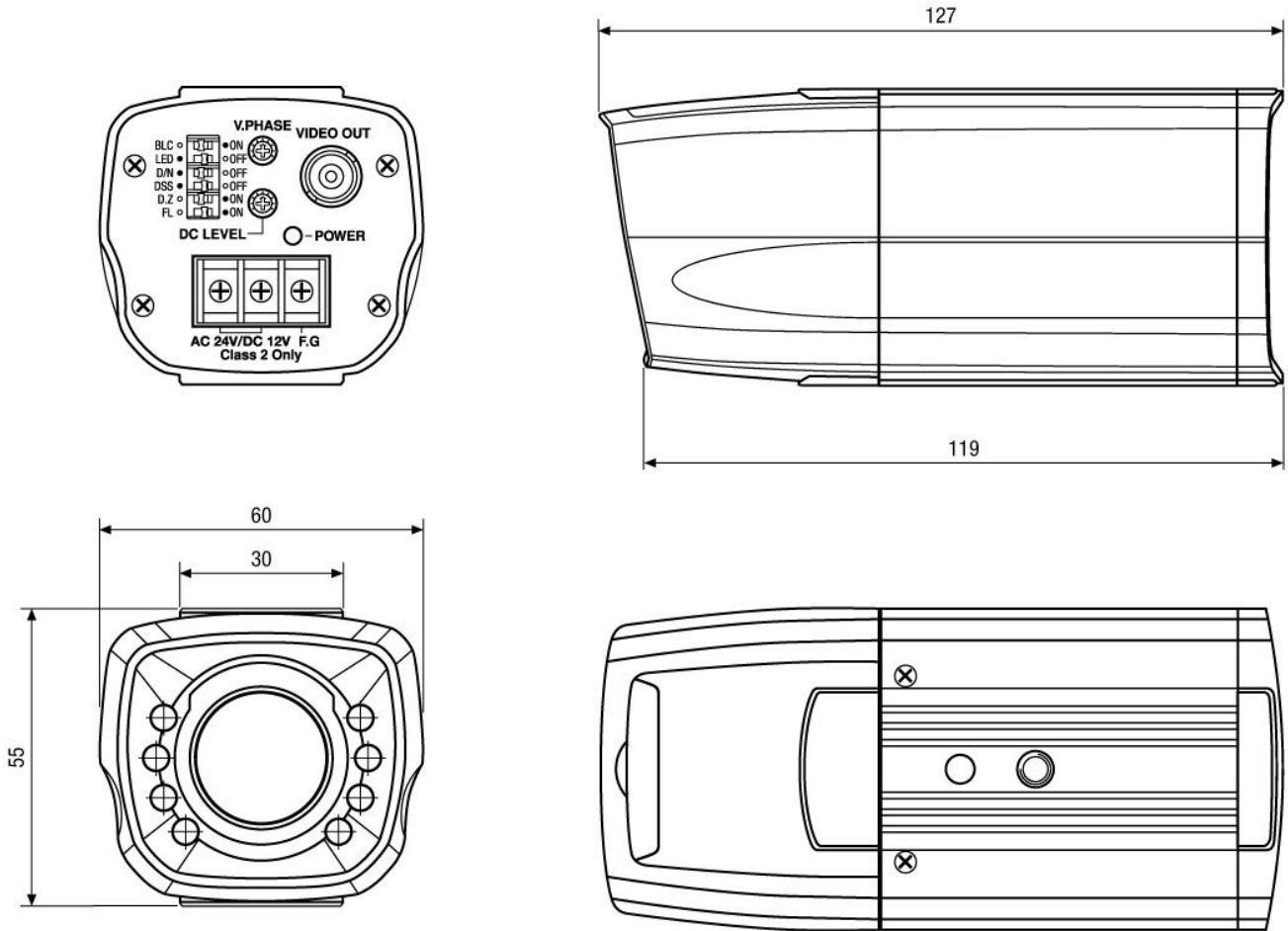
Specifications (continued)

White balance	automatic
Backlight compensation	BLC
Backlight compensation	ON/OFF switchable
Wide Dynamic Range (WDR)	no
Aperture Correction (APC)	horizontal and vertical
IR cut filter	switchable
Video outputs	composite (CVBS)
Lens type	varifocal
Lens	F1.2/F2.0-360 / 3.8-9.5mm with galvanometer controlled iris
Focal length	3,8 mm - 9,5 mm
e-PTZ support	no
Digital zoom	no
Horizontal angle of view	74,2° - 30°
Iris control	DC
MOD (Minimum object distance)	0,15 m
Illumination	infrared
Illumination	7x LED's 850nm at 30° hor. illumination angle. Due to an integrated light sensor the LED illumination will be switched ON/OFF, depending on environmental illumination conditions approx. 5m (at a good light reflexion and 40% Videosignal)
Illumination range	
Activity detection	no
Serial interfaces	no
External adjustments	LED, BLC, Flickerless (ON/OFF), Level for the DC controlled lens, D&N switching level (Hi/Low), T/W Push buttons
External connections	Video (BNC), Power input
Temperature range (operation)	-10°C - +50°C
Housing material	plastic
Housing	indoor
Integrated wall mount	no
Hidden cable management	no
Sunshield	no
Window heater	no
Colour (housing)	silver grey
Vandalism resistant	no
Protection rating	n/a
Alarm inputs	-
Alarm outputs	-
Supply voltage	12VDC, 24VAC
Power consumption	4.2W max.
Dimensions (HxWxD)	see drawing
Weight	approx. 420g
Certificates	CE

Optional Accessories

Image	Artikel-Nr. / Typ	Description
	WD-23	Wall Mount Bracket with Ball Joint, 1/4" Camera Fixing Screw, Pantone 877
	VT-PS12DC-9	Plug-in Power Supply Unit 100-240VAC 12VDC (1.0Amp), Regulated, w. open Ends
	VTL-WWD	Weatherproof Housing (300mm) RAL9002, Wallbracket, Thermostat, Heater 12-24V

Technical Drawing



Maße/Dimensions: mm

Your partner for eneo products:

