



VKC-1354/12-24

Article-No.: 92103

1/3" Day&Night Camera, DNR,
DSS, CS Mount, 540TVL,
12VDC/24VAC

Mainfeatures

1/3" Super HAD Colour/B&W CCD Sensor
Sensitivity of 0.17Lux at F1.2 (Colour, AGC ON)
Selectable Gain Control (AGC)
High and Low Speed Shutter Control (MES/ESC/DSS)
Privacy Masking/Mirror Function/Motion Detection
Auto Iris and DC Iris Control

Horizontal Resolution of 540 TV Lines
Digital Noise Reduction (DNR)
Selectable Backlight Compensation Zones (BLC)
On-screen Menu Control / Camera Title Display
Picture Sharpness and Flickerless Adjustment
CS Mount / Supply Voltage 12VDC/24VAC

Specifications

System	day&night
Video standard	CCIR/PAL
Sensor size	1/3"
Imager	CCD
Imager	Sony Super HAD Interline Transfer
Active picture elements	440,000, 752(H) x 582(V)
Horizontal resolution	540 TVL
Synchronization	Line lock or internal
Signal-to-noise ratio	50dB (AGC OFF)
Gamma correction	0.45
Sensitivity (at 50% video signal)	0,17 Lux
Sensitivity (at 50% video signal)	(colour), 0.09Lux (B&W) at F1.2 (measured)
Automatic electronic shutter (ESC)	1/50 ~ 1/100,000sec.
Manual electronic shutter (MES)	1/50 ~ 1/100,000sec.
Low speed shutter	yes
Low speed shutter	2 ~ 160 Fps., ON/OFF switchable

Specifications (continued)

Digital Noise Reduction (DNR)	yes
Backlight compensation	BLC
Backlight compensation	center/top/bottom and OFF
Wide Dynamic Range (WDR)	no
White balance	automatic (AWB/ATW) selectable for indoor and outdoor, or manual
Aperture Correction (APC)	horizontal and vertical
Flickerless function	1/120sec., On/Off switchable
IR cut filter	switchable
Privacy zones masking	ON/OFF switchable
OSD function control	Colour/B&W, AGC, Mirror (hor.), Positive/Negative. B&W External ON/OFF, BLC, White balance, AI/DC Iris, ESC, Colour rolling ON/OFF, Privacy zones ON/OFF, Camera ID, Default/Preset
Text display	title, camera ID and status
Digital zoom	no
e-PTZ support	no
Lens mount	CS mount
Iris control	Manual iris, Auto-Iris/DC controlled
Auto exposure	Automatic/Manual Shutter/AGC
Illumination	no
External adjustments	Menu, Cursor Up/Down/Left/Right, Flange focus
Video outputs	composite (CVBS)
Video outputs	1Vp-p, CVBS or VBS, 75ohms, BNC
External connections	Video (BNC), Auto Iris/DC Iris, Power input (2 pin)
Serial interfaces	no
Camera mount	1/4" - 20 UNC thread on top and bottom
Alarm inputs	no
Alarm outputs	-
Supply voltage	12VDC, 24VAC
Power consumption	5.5W
Housing	indoor
Colour	Pantone 877C, Side wings: Pantone Cool Gray 11C
Hidden cable management	no
Vandalism resistant	no
Temperature range (operation)	-10°C ~ +50°C
Dimensions (HxWxD)	see drawing
Weight	310g
Parts supplied	4-pin plug, C/CS mount ring
Certificates	CE

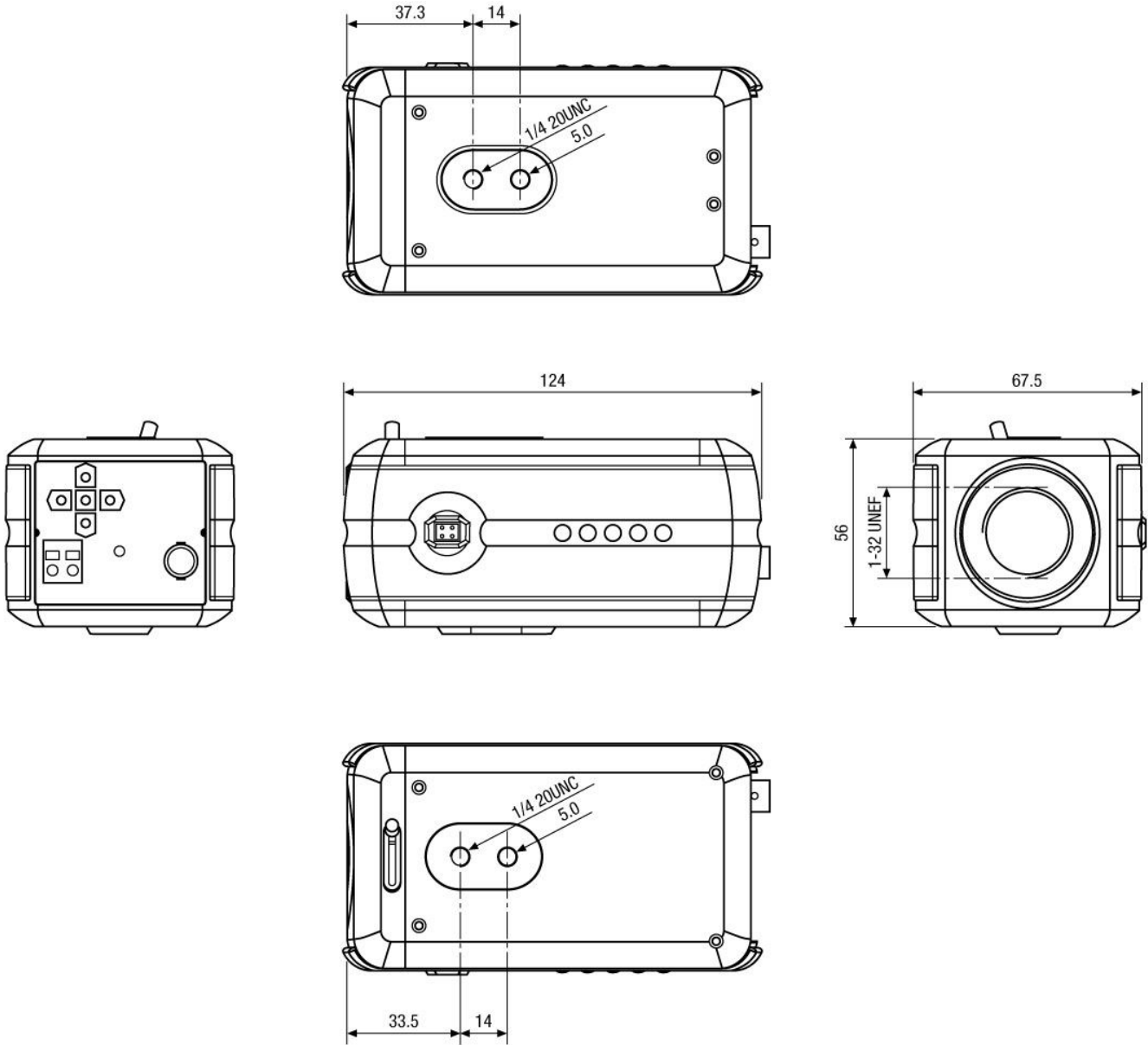
Optional Accessories

Image	Artikel-Nr. / Typ	Description
	WD-22	Wall Mount Bracket with Ball Joint, 1/4" Camera Fixing Screw, Beige Grey
	WD-23	Wall Mount Bracket with Ball Joint, 1/4" Camera Fixing Screw, Pantone 877
	WD-13-WA	Ceiling Mount with Ball Joint, 1/4" Camera Fixing Screw, RAL9006
	WD-13/E-WA	Ceiling Mount w. Ball Joint, extendable 1/4" Camera Fixing Screw, RAL9006
	YV5X2.7R4B-SA2L	F1.3/2.7-13.5mm DC Varifocal Lens, No Focus Shift, 1/3" CS Mount
	F03Z2.710DC-NFS	F1.0/3-8mm DC Lens/var. Focal Length with No Focus Shift, 1/3" CS Mount
	G04Z03NDDC-NFS	F1.2/4.5-12.5mm DC Lens/variable Focal Length, No Focus Shift, 1/2" CS Mount

Optional Accessories (continued)

Image	Artikel-Nr. / Typ	Description
	F07Z07NDDC-NFS	F1.3/7.5-50mm DC Lens/var. Focal Length with No Focus Shift, 1/3" CS Mount
	A10Z04NDDC-NFS	F1.4/10-40mm DC Lens/var. Focal Length with No Focus Shift, 1/2" C Mount
	VT-PS12DC-7	Plugable PSU w. Cont. & UK Mains plug-in 100-240VAC/12VDC-1.25A, Regulated
	VT-PS12DCDT1	PSU 12VDC/1.0A, Regulated, Desktop Version, 1.8m Cables each w. open ends
	VT-PS12DC-9	Plug-in Power Supply Unit 100-240VAC 12VDC (1.0Amp), Regulated, w. open Ends

Technical Drawing





Your partner for eneo products:

