



## VKC-1416A/IR

Article-No.: 92112

1/4" Camera, Day&Night, 22x,  
480TVL, 12VDC

### Mainfeatures

High resolution day&night camera  
Zoom Preset Function  
Digital Image Stabilization (DIS)  
Programmable Back Light Compensation (BLC)  
Adjustable Low Speed Shutter Control (DSS)  
RS-232/RS-485 Serial and Voltage Control Interface

22x autofocus lens /11x digital zoom  
Enhanced Dynamic Range (WDR/EDR)  
Digital Noise Reduction (DNR)  
High Speed Shutter Control (ESC+MES)  
On-screen Menu Control  
Certified according to BGV Kassen

### Specifications

System	day&night
Video standard	CCIR/PAL
Sensor size	1/4"
Imager	CCD
Imager	Sony Super HAD Interline Transfer
Active picture elements	440,000, (H) 752 x (V) 582
Synchronization	internal
Signal-to-noise ratio	52db (AGC OFF)
Horizontal resolution	480 TVL
Sensitivity (at 50% video signal)	0,45 Lux
Sensitivity (at 50% video signal)	(colour), 0.24Lux (B&W) at F1.2 (measured)
Exposure modes	automatic or manual mode: Iris, Shutter and AGC. Automatic mode: Iris priority, Shutter priority
Automatic electronic shutter (ESC)	1/50 ~ 1/10,000sec.
Low speed shutter	yes
Low speed shutter	1/30sec. ~ 1sec. (to 2, 4, 8, 16, 32 and 60 Fps. selectable)

## Specifications (continued)

Automatic gain control (AGC)	30dB max., ON/OFF switchable
Digital Noise Reduction (DNR)	yes
White balance	automatic (AWB) selectable for indoor and outdoor, or manual. Wide range auto mode (WAWB, 1800-10500K)
Backlight compensation	BLC
Backlight compensation	ON/OFF switchable with adjustable field size
Wide Dynamic Range (WDR)	no
IR cut filter	switchable
Video outputs	composite (CVBS)
Lens type	zoom
Lens	F1.6 / 3.9 - 85.8mm
Focal length	3,9 mm - 85,8 mm
e-PTZ support	no
Digital zoom	11x
Horizontal angle of view	50° - 2,46°
Iris control	DC, manual
Focus control	Automatic (manual override and programmable: 0.1m/1.0m/1.5m/2.5m/6.0m)
MOD (Minimum object distance)	0,1-1 m
MOD (Minimum Object Distance)	Wide angle (x1 to x4): 10cm Tele end (x5 to x22): 1.0m. Adjustable to 0.1m, 1.0mm, 1.5m, 2.5m and 6m
Filter screw size	M37x0.7mm
Illumination	no
OSD function control	D&N, AGC, BLC, AWB, Iris, MOD, PIP, Freeze, Digital zoom, Digital noise reduction (DNR) ON/OFF. Mirror, Enhanced Dynamic Range (WDR/EDR) and Shutter mode
Menu driven set-up	ON/OFF switchable
Text display	title, camera ID and status
Activity detection	no
Serial interfaces	RS-232, RS-485
Serial port	Fastrax-IIe, Pelco P&D protocols
External adjustments	Menu: ON/OFF Focus near/far Lens T/W LL phase (for AC models only)
External connections	video (BNC), power input, serial interface socket
Temperature range (operation)	-10°C - +50°C
Housing material	aluminium
Housing	indoor
Integrated wall mount	no
Hidden cable management	no
Sunshield	no
Window heater	no
Colour (housing)	beige
Vandalism resistant	no
Protection rating	n/a
Alarm inputs	no
Alarm outputs	no
Supply voltage	12VDC
Power consumption	5.5W


## Specifications (continued)

Weight	335g
Parts supplied	Camera, 12-pin adapter cable with open ends, Multi-language manual
Certificates	CE

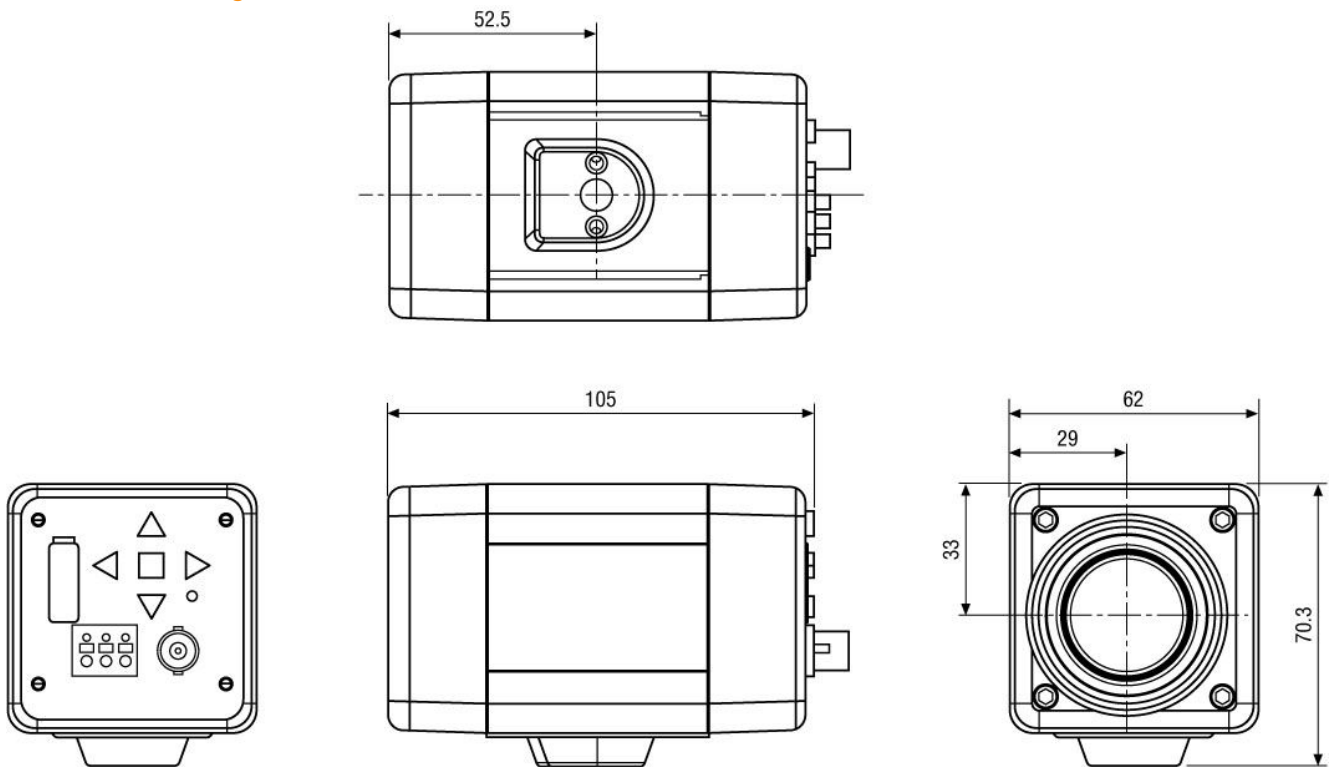
## Optional Accessories

Image	Artikel-Nr. / Typ	Description
	WD-18	Wall Mount with Ball Joint, 1/4" Camera Fixing Screw, beige Grey
	VT-PS12DCDT1	PSU 12VDC/1.0A, Regulated, Desktop Version, 1.8m Cables each w. open ends
	EDC-KBD1	System Keyboard with 3-axis Joystick, 12VDC
	EDC-KBDM-3	System Keyboard w. Joystick, 5" Monitor 12VDC, Fastrax Protocol
	FASTRAX_CONFIG	Configuration Software for Eneo Fastrax, Minitrax Dome Cameras and VKC-1416
	VKCD-1410/KB	Remote Controller for VKCD-1410, VKC-1416(A/B) and NTC -4101

## Optional Accessories (continued)

Image	Artikel-Nr. / Typ	Description
	VT-PS12DC-9	Plug-in Power Supply Unit 100-240VAC 12VDC (1.0Amp), Regulated, w. open Ends

## Technical Drawing



Maße/Dimensions: mm



Your partner for eneo products:

