



VKC-1358/IR

Article-No.: 92136

1/3" Day&Night Camera, IR
Illumination, F1.2/3.8-9
.5mm, 550TVL, 12VDC/24VAC

Mainfeatures

1/3" Sony ExView HAD CCD Sensor
Automatic Gain Control (AGC)
Integral Varifocal Lens F1.2/3.8-9.5mm
Externally Adjustable Focus & Zoom by Rings
Illumination Range: approx. 35m
Fully Hidden Cable Routing/Protection Rating IP66

Sensitivity of 0.55 Lux at F1.2 (Colour)
Automatic White Balance (AWB/ATW)
DC Iris Control / Removable IR Cut Filter
IR Illumination by 42 integral 850nm LEDs
Supply Voltage 12VDC/24VAC
For Wall and Ceiling Mount




Specifications

System	day&night
Video standard	CCIR/PAL
Sensor size	1/3"
Imager	CCD
Imager	Sony ExView HAD Interline Transfer CCD
Active picture elements	440,000, 752(H) x 582(V)
Synchronization	Internal/AC line lock
Signal-to-noise ratio	48dB
Horizontal resolution	550 TVL
Horizontal resolution	(colour), 580 TVL (B&W)
Sensitivity (at 50% video signal)	0.55Lux at F1.2 (color), 0.23Lux (B&W), Videor measurement result
Low speed shutter	no
Automatic gain control (AGC)	supplied
Digital Noise Reduction (DNR)	no
White balance	AWB/ATW selectable

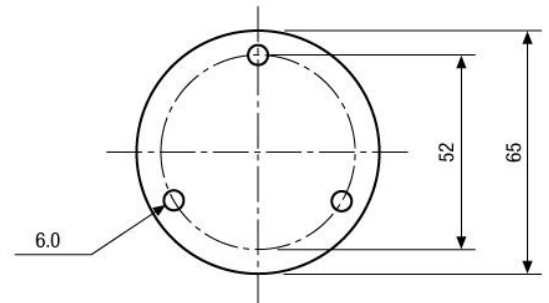
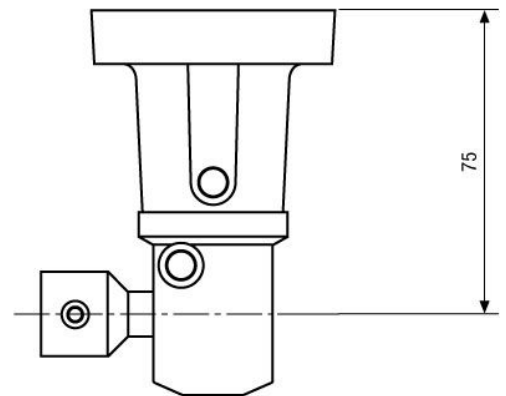
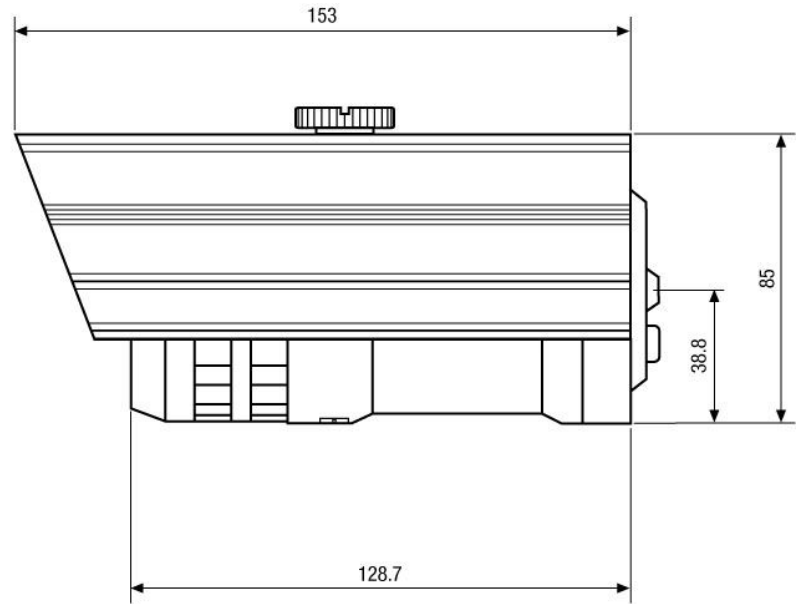
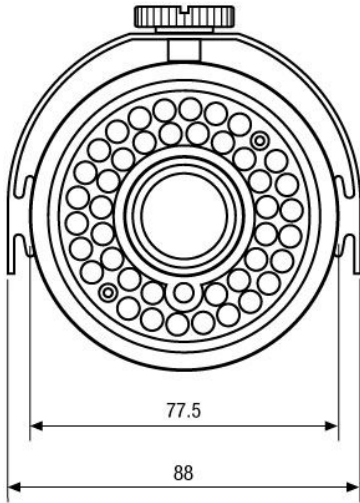
Specifications (continued)

Backlight compensation	no
Wide Dynamic Range (WDR)	no
Aperture Correction (APC)	horizontal and vertical
IR cut filter	switchable
Video outputs	composite (CVBS)
Lens type	varifocal
Lens	F1.2/F2.0 - 360/3.8 - 9.5mm with galvanometer controlled iris
Focal length	3,8 mm - 9,5 mm
Horizontal angle of view	74,2° - 30°
Iris control	DC, auto iris
MOD (Minimum object distance)	0,15 m
Illumination	infrared
Illumination	42 LEDs 850nm. Integrated light sensor for On/Off switching of the illumination
Illumination range	approx. 35m (at a good light reflexion and 40% Videosignal)
Serial interfaces	no
External connections	Video (BNC), 2 pin power input
Cable connection	Wiring for video and voltage supply made, accessible from outside (1.8m)
Kind of mounting	Integrated wall mount with ball joint
Temperature range (operation)	-10°C ~ +50°C
Housing material	aluminium
Housing	outdoor
Integrated wall mount	yes
Hidden cable management	yes
Sunshield	yes
Window heater	no
Colour (housing)	silver grey
Protection rating	IP66
Supply voltage	12VDC, 24VAC
Supply voltage	(+/-10%)
Power consumption	approx. 10W
Dimensions (HxWxD)	see drawing
Parts supplied	Camera, Manual
Certificates	CE

Optional Accessories

Image	Artikel-Nr. / Typ	Description
	NE-132/AC24V	Power Supply Unit 230VAC/24VAC (1.0A)
	NE-128	Voltage supply unit 230V/24VAC-5A, IP66
	VT-PS12DC-7	Plugable PSU w. Cont. & UK Mains plug-in 100-240VAC/12VDC-1.25A, Regulated

Technical Drawing



Maße/Dimensions: mm



Your partner for eneo products:

