



VKCD-1321SSM/MF

Article-No.: 92159

1/3" Mini Dome, Fixed, Colour,
clear, 3.6mm, 540TVL, 12VDC,
Silver

Main features

For wall and ceiling surface mounting
1/3" colour board camera with Super HAD CCD
Resolution of 540 horizontal lines
Digital signal processing (DSP)
Silver-coloured aluminium die-cast casing

Vandal resistant
Integrated lens F2.0/3.6mm
Automatic shutter control up to 1:100,000Sec.
Automatic white balance (ATW)
Clear Lexan bubble, 57mm


Specifications

System	colour
Video standard	PAL
Sensor size	1/3"
Imager	CCD
Imager	Sony Super HAD Interline Transfer
Active picture elements	440,000, 752(H) x 582(V)
Horizontal resolution	540 TVL
Synchronization	internal
Signal-to-noise ratio	48dB
Gamma correction	approx. 0.45
Sensitivity (at 50% video signal)	0,84 Lux
Sensitivity (at 50% video signal)	at F1.2 (measured)
Automatic gain control (AGC)	supplied
Automatic electronic shutter (ESC)	1/50 ~ 1/100,000sec.
Low speed shutter	no
Digital Noise Reduction (DNR)	no
Backlight compensation	BLC

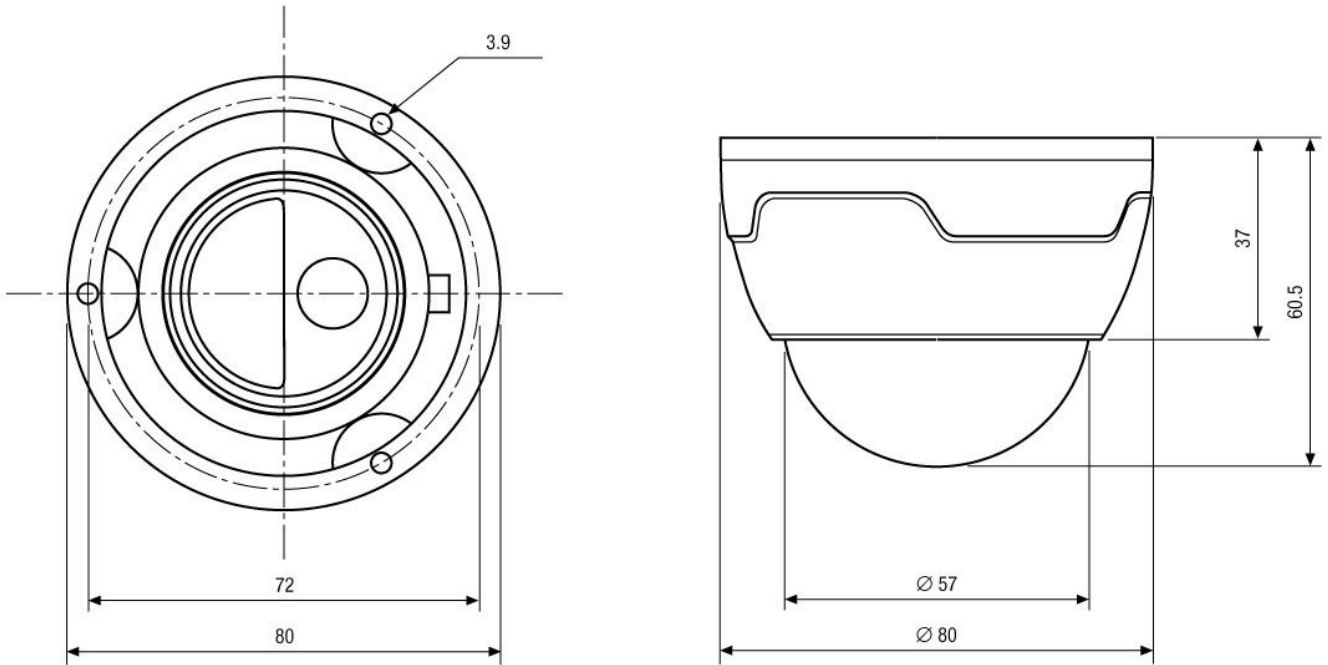
Specifications (continued)

Wide Dynamic Range (WDR)	no
Aperture Correction (APC)	horizontal and vertical
IR cut filter	standard
Activity detection	no
Digital zoom	no
Lens type	fixed focal length
Focal length	3,6 mm
Horizontal angle of view	68°
MOD (Minimum object distance)	0,1 m
Video outputs	composite (CVBS)
Video outputs	1Vp-p, CVBS, 75ohms
Alarm inputs	no
Alarm outputs	no
e-PTZ support	no
Rotation range	359°
Illumination	no
Serial interfaces	no
Housing	outdoor
Housing material	aluminium
Bubble	57mm (2.25"), polycarbonate plastic
Colour (bubble)	clear
Colour (housing)	silver grey
Heater	no
Mounting	ceiling mount, wall mount
Supply voltage	12VDC
Supply voltage	10 - 14VDC, 12VDC ±0,5V recommended
Power consumption	2.0W max.
Temperature range (operation)	-10°C ~ +50°C
Protection rating	IP66
Vandalism resistant	yes
Dimensions (HxWxD)	see drawing
Weight	170g
Certificates	EMC Standard of vehicles, CE

Optional Accessories

Image	Artikel-Nr. / Typ	Description
	VT-PS12DC-8	Plug-in Power Supply Unit 100-240VAC 12VDC (1.0Amp), Regulated, with DC Plug

Technical Drawing



Maße/Dimensions: mm

Your partner for eneo products:

