



VKCD-1322

Article-No.: 92162

1/3" Dome, Fixed, Day&Night,
clear, 4-9mm, 530TVL, Vandal
Resistant, 12VDC

Mainfeatures

1/3" Super HAD colour/b&w CCD sensor
Sensitivity of 0.16Lux at F1.2 (colour & b/w)
Digital noise reduction (DNR)
Automatic gain control (AGC)
High and low speed shutter control (ESC & DSS)
Supply voltage: 12VDC

Integrated F1.5/4.0-9.0mm varifocal DC iris lens
On-screen menu control
Backlight compensation (BLC)
Automatic white balance (ATW/AWB)
Manual 3-axis camera gimbal
For wall and ceiling flush and surface mounting





Specifications

System	day&night
Video standard	CCIR/PAL
Sensor size	1/3"
Imager	CCD
Imager	Sony Super HAD Interline Transfer
Horizontal resolution	530 TVL
Synchronization	internal
Signal-to-noise ratio	50dB (AGC OFF)
Sensitivity (at 50% video signal)	0,16 Lux
Sensitivity (at 50% video signal)	(colour and B&W) at F1.2 (measured)
Automatic electronic shutter (ESC)	1/50 - 1/1200,000sec.
Manual electronic shutter (MES)	1/50 - 1/120,000sec.
Low speed shutter	yes
Low speed shutter	OFF, Automatic: 2 - 128 fps.
Digital Noise Reduction (DNR)	yes
Backlight compensation	BLC

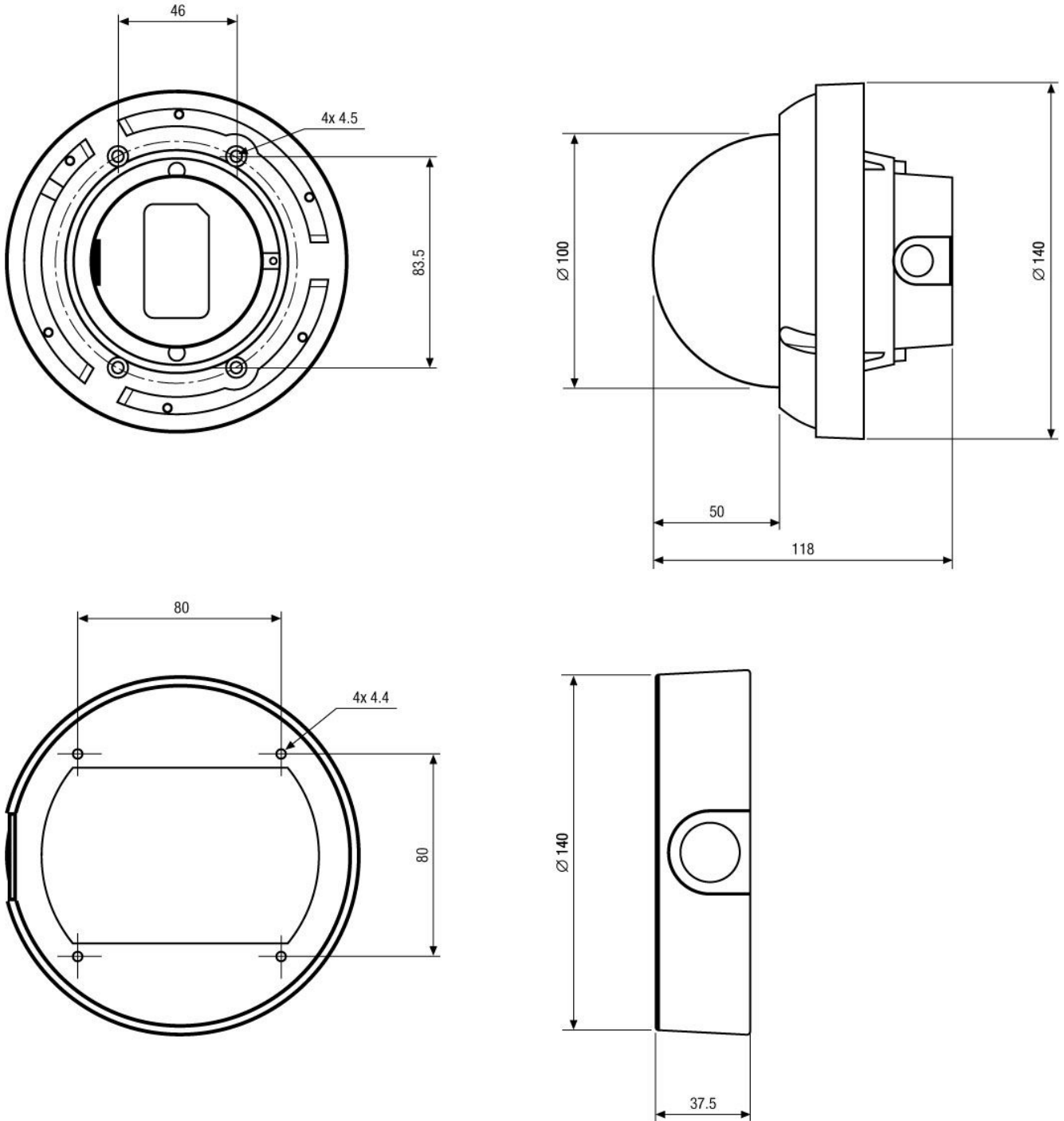
Specifications (continued)

Backlight compensation	OFF/Low/Mid/High selectable
Wide Dynamic Range (WDR)	no
White balance	AWB/ATW selectable
Aperture Correction (APC)	horizontal and vertical
Flickerless function	On/Off switchable
IR cut filter	OLPF (Overlay Low Pass Filter)
Privacy zones masking	ON/OFF switchable
Activity detection	yes
Digital zoom	no
Lens type	varifocal
Focal length	4 mm - 9 mm
Horizontal angle of view	71° - 31,6°
MOD (Minimum object distance)	0,1 m
Video outputs	composite (CVBS)
Video outputs	1Vp-p, CVBS or VBS, 75ohms, BNC
Alarm inputs	-
Alarm outputs	-
e-PTZ support	no
Rotation range	359°
Illumination	no
External connections	Video (BNC), 12V (DC plug)
Serial interfaces	no
Housing	outdoor
Housing material	aluminium
Colour (bubble)	clear
Colour (housing)	Pantone Warm Gray 1C
Heater	no
Mounting	ceiling mount, flush mount, wall mount
Supply voltage	12VDC
Supply voltage	(+/-10%)
Power consumption	2.4W
Temperature range (operation)	-10°C ~ +50°C
Protection rating	IP66
Vandalism resistant	yes
Weight	1.4kg
Certificates	CE

Optional Accessories

Image	Artikel-Nr. / Typ	Description
	IRCAM/WB2	Wall Mount Kit for VKCD-1322 and VKCD-1324/IR
	IRCAM/CB1	Ceiling Mount Kit for VKCD-1322 and VKC-1324/IR
	3/4" - M25X1.5	Thread Adapter 3/4" - Conduit Connection M25x1.5mm for Dome Surface Mount Housing
	VT-PS12DC-8	Plug-in Power Supply Unit 100-240VAC 12VDC (1.0Amp), Regulated, with DC Plug

Technical Drawing



Maße/Dimensions: mm



Your partner for eneo products:

