



VKCD-1323/IR

Article-No.: 92164

1/3" Dome, Fixed, Day&Night,
DNR, clear, 3.8-9.5mm, 550TVL,
IR Illumination, 24V

Mainfeatures

1/3" Super HAD Colour/B&W CCD Sensor
Digital Noise Reduction (DNR)
Sensitivity of 0.1Lux at F1.2 (Colour)
Automatic Gain Control (AGC)
IR Illumination by 36 integral 850nm LEDs
Supply Voltage 12VDC or 24VAC

Integrated F1.2/3.8-9.5mm Varifocal DC Iris Lens
Removable IR Cut Filter
Backlight Compensation (BLC) / Flickerless ON/OFF
Automatic White Balance (ATW/AWB)
Manual 3-axis Camera Gimbal
For Wall and Ceiling Flush and Surface Mount


Specifications

System	day&night
Video standard	CCIR/PAL
Sensor size	1/3"
Imager	CCD
Imager	Sony Super HAD Interline Transfer
Horizontal resolution	520 TVL
Horizontal resolution	(colour), 550 TV lines (B&W)
Synchronization	internal
Signal-to-noise ratio	48dB
Sensitivity (at 50% video signal)	0.13Lux at F1.2 (colour); 0.07Lux at F1.2 (B&W)
Low speed shutter	yes
Digital Noise Reduction (DNR)	yes
Backlight compensation	BLC
Backlight compensation	adjustable: Max / Mid / Min and OFF
Wide Dynamic Range (WDR)	no
White balance	automatic and Manually





Specifications (continued)

Aperture Correction (APC)	horizontal and vertical
IR cut filter	switchable
OSD function control	Brightness (DC), Backlight Compensation, Electronic shutter (DSS), Manual high speed shutter (1/50 to 1/120,000), Automatic white balance, Manual white balance (Red/Blue), AGC, DNR, Motion Detection, Flickerless mode, Privacy window, Mirror, Sharpness, Day/Night
Lens type	varifocal
Focal length	3,8 mm - 9,5 mm
Horizontal angle of view	74,2° - 30°
MOD (Minimum object distance)	0,15 m
Video outputs	composite (CVBS)
Video outputs	1Vp-p, (C)VBS, 75ohms, BNC
Rotation range	359°
Tilt range	55° (+35° ~ +90° from horizontal level)
Illumination	36 LEDs 850nm. Integrated light sensor for On/Off switching of the illumination
External connections	Video (BNC), 12 VDC (terminal block), Service Monitor Output
Serial interfaces	no
Housing	outdoor
Housing material	aluminium
Colour (bubble)	clear
Colour (housing)	Pantone Warm Gray 1C
Heater	no
Mounting	ceiling mount, flush mount, wall mount
Supply voltage	12VDC, 24VAC
Supply voltage	(+/-10%)
Power consumption	8.5W max. (12V, IR LEDs On)
Temperature range (operation)	-10°C ~ +50°C
Protection rating	IP66
Vandalism resistant	yes
Weight	1.0kg
Certificates	CE

Optional Accessories

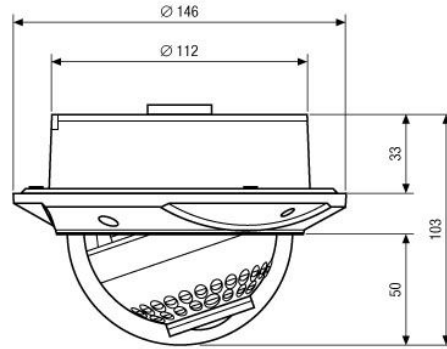
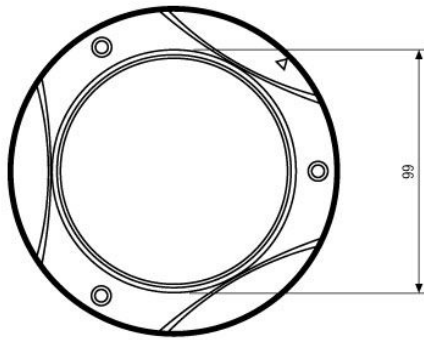
Image	Artikel-Nr. / Typ	Description
	VT-PS12DC-8	Plug-in Power Supply Unit 100-240VAC 12VDC (1.0Amp), Regulated, with DC Plug

Optional Accessories (continued)

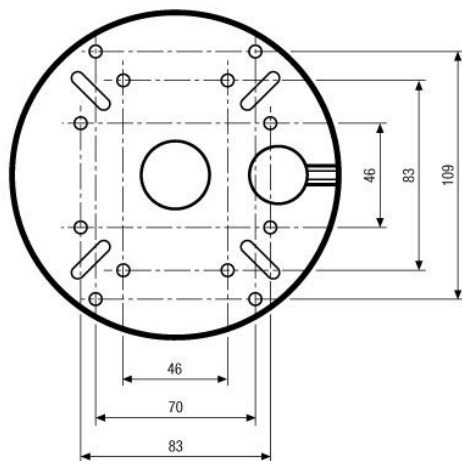
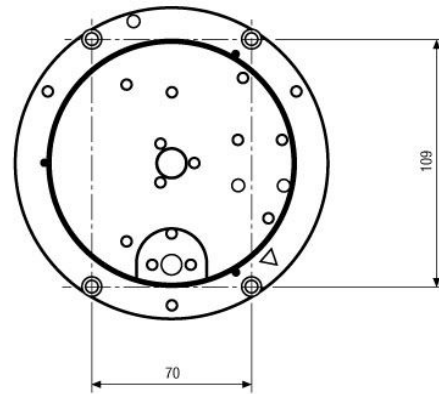
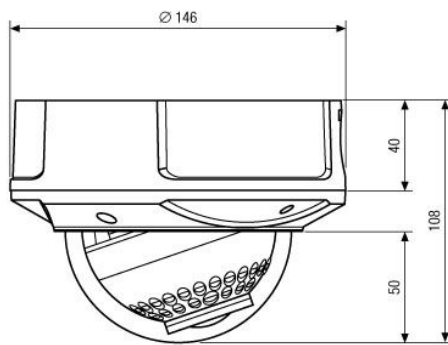
Image	Artikel-Nr. / Typ	Description
	VT-PS12DC-7	Plugable PSU w. Cont. & UK Mains plug-in 100-240VAC/12VDC-1.25A, Regulated
	NE-132/AC24V	Power Supply Unit 230VAC/24VAC (1.0A)
	VT-PS12DCDT1	PSU 12VDC/1.0A, Regulated, Desktop Version, 1.8m Cables each w. open ends
	VKCD-1323/IR-KB	External Remote Control Board for VKCD-1323/IR

Technical Drawing

Einbau / Flush Mount



Aufbau / Surface Mount



Maße/Dimensions: mm



Your partner for eneo products:

