



## VKC-1327AWDDG1

Article-No.: 92166

1/3" Dome, Fixed, Day&Night,  
clear, 3.8-9.5mm, 540TVL,  
12VDC/24VAC

### Mainfeatures

For wall and in-ceiling mounting  
Clear Lexan bubble with inner liner  
Built-in lens F1.2/3.8-9.5mm with DC iris control  
Removable IR cut filter  
Backlight compensation (BLC)

Vandal and tamper-resistant  
1/3" day&night CCD board camera with varifocal lens  
Resolution of 540 horizontal lines  
Automatic shutter control (AES)  
For easy indoor installation


### Specifications

System	day&night
Video standard	CCIR/PAL
Sensor size	1/3"
Imager	CCD
Imager	Sony Super HAD Interline Transfer
Active picture elements	440,000, 752(H) x 582(V)
Horizontal resolution	540 TVL
Synchronization	Internal/Line-lock (automatic detection depend on power source)
Signal-to-noise ratio	48dB
Gamma correction	approx. 0.45
Sensitivity (at 50% video signal)	0,5 Lux
Sensitivity (at 50% video signal)	(colour), 0.24Lux (B&W) at F1.2 (measured)
Automatic gain control (AGC)	Normal/Turbo (+6dB)
Automatic electronic shutter (ESC)	1/50 ~ 1/100,000sec.
Low speed shutter	no
Digital Noise Reduction (DNR)	no

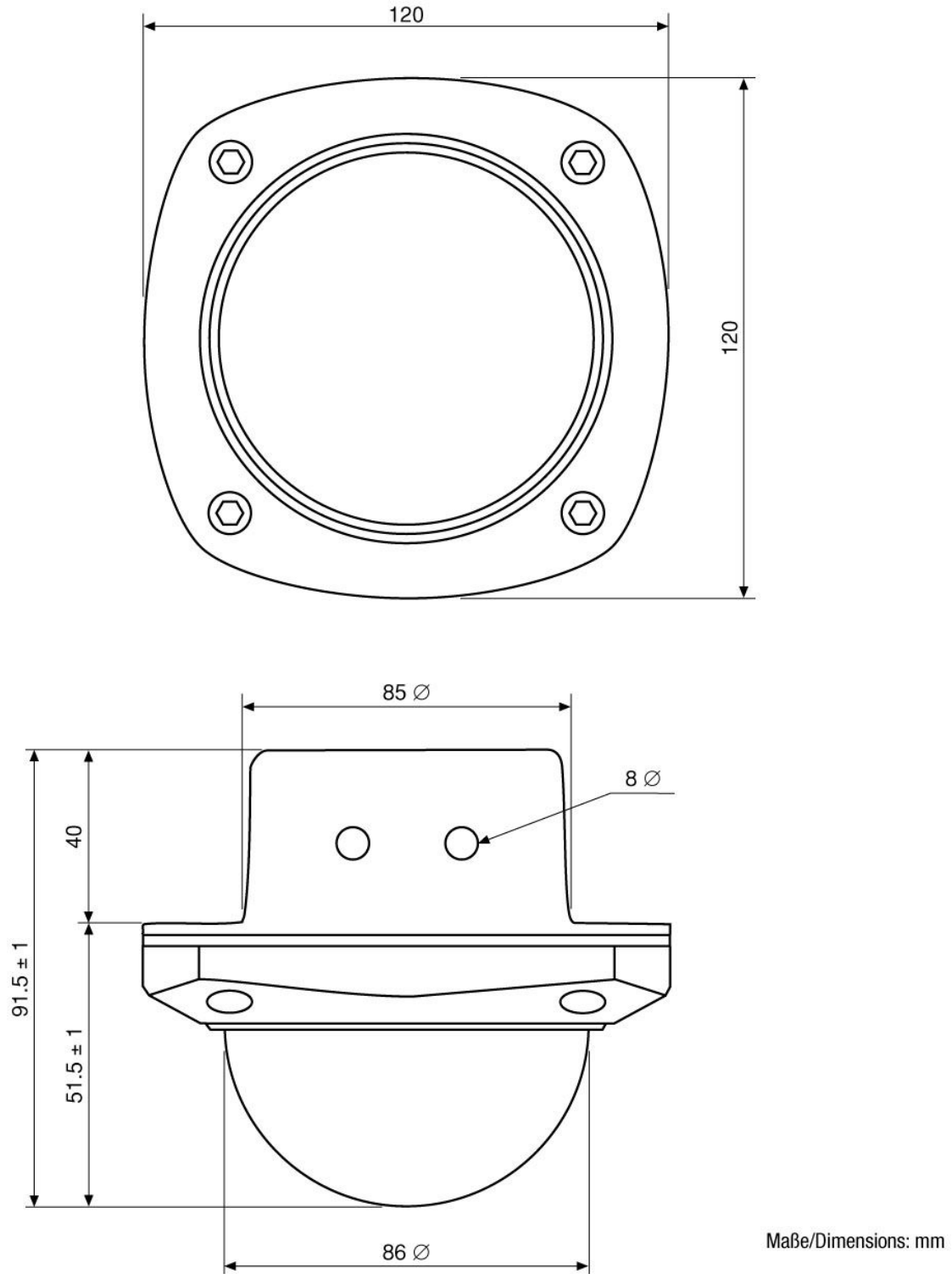
## Specifications (continued)

Backlight compensation	BLC
Backlight compensation	ON/OFF switchable
Wide Dynamic Range (WDR)	no
IR cut filter	switchable
Activity detection	no
Motion detector	no
Digital zoom	no
Lens type	varifocal
Focal length	3,8 mm - 9,5 mm
Horizontal angle of view	74,2° - 30°
MOD (Minimum object distance)	0,15 m
Video outputs	composite (CVBS)
Video outputs	1Vp-p, (C)VBS, 75ohms, BNC
Alarm inputs	no
Alarm outputs	no
e-PTZ support	no
Rotation range	manual: 360°
Illumination	no
Serial interfaces	no
Housing	outdoor
Housing	Die-cast aluminium with clear polycarbonate bubble
Housing material	aluminium
Bubble	PC plastic bubble with inner liner, vandal resistant
Colour (bubble)	clear
Colour (housing)	Pantone Cool Gray 1C
Heater	no
Mounting	flush mount
Supply voltage	12VDC, 24VAC
Supply voltage	(10.5 ~ 30VDC, 12 ~ 29VAC)
Power consumption	approx. 3.0W
Temperature range (operation)	-10°C ~ +50°C
Protection rating	IP65
Vandalism resistant	yes
Dimensions (HxWxD)	see drawing
Weight	approx. 750g
Certificates	CE

## Optional Accessories

Image	Artikel-Nr. / Typ	Description
	VT-PS12DC-9	Plug-in Power Supply Unit 100-240VAC 12VDC (1.0Amp), Regulated, w. open Ends

## Technical Drawing





Your partner for eneo products:

