



VKC-1361/IR-4.0

Article-No.: 92205

1/3" Camera, Day&Night,
F2.0/4.0mm, 850nm, 520TVL,
IR Illumination, 12VDC

Mainfeatures

Weatherproof CCD camera with IR illumination
Integrated 4.0mm/F2.0 lens
IR illumination by 20 integral 850nm LEDs
Automatic shutter control (ESC)
Aluminium housing with sunshield
Supply voltage: 12VDC

1/3" Sony SS-HQ1 CCD
Sensitivity of 0.18Lux (F1.2)
B&W display at night time and IR LED illumination
Automatic white balance (ATW)
Protection rating: IP67
Sunshield and wall mount bracket supplied



Specifications

System	day&night
Video standard	CCIR/PAL
Sensor size	1/3"
Imager	CCD
Imager	Sony Super HAD CCD
Active picture elements	440,000, 752(H) x 582(V)
Synchronization	internal
Signal-to-noise ratio	50dB (AGC OFF)
Horizontal resolution	520 TVL
Sensitivity (at 50% video signal)	0,18 Lux
Sensitivity (at 50% video signal)	(colour) at F1.2 (measured)
Automatic electronic shutter (ESC)	1/50 - 1/100,000sec.
Low speed shutter	yes
Automatic gain control (AGC)	On/Off switchable
Digital Noise Reduction (DNR)	no
White balance	automatic (2000K - 8000K)

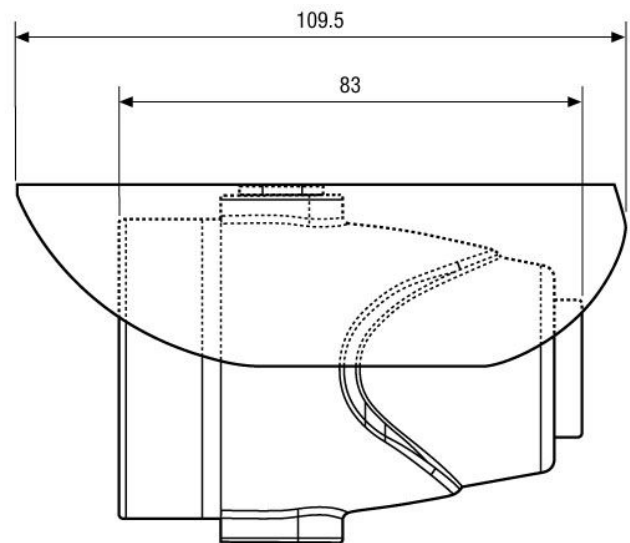
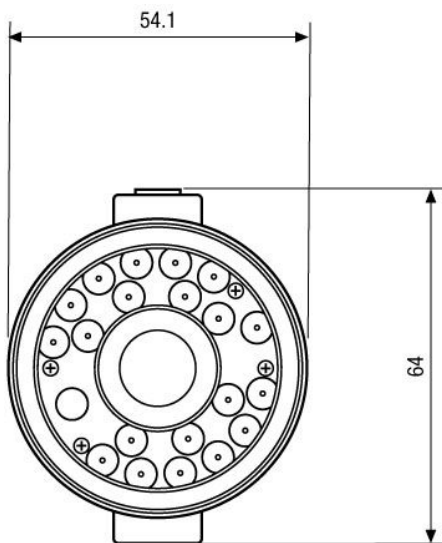
Specifications (continued)

Backlight compensation	BLC
Backlight compensation	center weighted, ON/OFF switchable
Wide Dynamic Range (WDR)	no
IR cut filter	OLPF (Overlay Low Pass Filter)
Internal adjustments	AGC, BLC, ON/OFF switchable
Video outputs	composite (CVBS)
Lens type	fixed focal length
Lens	F2.0/4mm
Focal length	4 mm
e-PTZ support	no
Digital zoom	no
Horizontal angle of view	63°
Iris control	no
MOD (Minimum object distance)	0,1 m
Illumination	infrared
Illumination	20x IR LED's 850nm. Due to an integrated light sensor the LED illumination will be switched ON/OFF, depending on environmental illumination conditions.
Illumination range	approx. 15m (at a good light reflexion and 40% Videosignal)
Activity detection	no
Serial interfaces	no
External connections	Video (BNC), Power input
Mounting	wall mount
Mounting	for wall and drop ceiling mount
Temperature range (operation)	-10°C ~ +50°C
Housing material	aluminium
Housing	outdoor
Integrated wall mount	yes
Hidden cable management	no
Sunshield	yes
Window heater	no
Colour (housing)	silver grey
Vandalism resistant	no
Protection rating	IP67
Alarm inputs	no
Alarm outputs	no
Supply voltage	12VDC
Power consumption	4.0W
Dimensions (HxWxD)	see drawing
Weight	200g
Parts supplied	Camera, Wall bracket, Manual
Certificates	CE

Optional Accessories

Image	Artikel-Nr. / Typ	Description
	VT-PS12DC-8	Plug-in Power Supply Unit 100-240VAC 12VDC (1.0Amp), Regulated, with DC Plug
	PM-42	Pole Mount Adapter, for Housing Series Candid, W3 Plug&Play

Technical Drawing



Maße/Dimensions: mm



Your partner for eneo products:

