



VKC-1416/PP

Article-No.: 92237

1/4" Camera, Day&Night, 22x,
480TVL, Outdoor Housing, 12VDC

Mainfeatures

High Resolution Colour/B&W Camera
Digital signal processing (DSP)
Digital image stabilization (DIS)
Programmable backlight compensation (BLC)
Adjustable low speed shutter control (DSS)
RS-232/RS-485 serial and voltage control interface

Integral 22x AF zoom lens / 11x digital zoom
Enhanced dynamic range (WDR/EDR)
Digital noise reduction (DNR)
High speed shutter control (ESC+MES)
On-screen menu control
All-in-one: camera / lens / housing IP66

Specifications

System	day&night
Video standard	CCIR/PAL
Sensor size	1/4"
Imager	CCD
Imager	Sony Super HAD Interline Transfer
Active picture elements	440,000, (H) 752 x (V) 582
Synchronization	internal
Signal-to-noise ratio	52db (AGC OFF)
Horizontal resolution	480 TVL
Sensitivity (at 50% video signal)	0,45 Lux
Sensitivity (at 50% video signal)	(colour), 0.24Lux (B&W) at F1.2 (measured)
Exposure modes	automatic or manual mode: Iris, Shutter and AGC. Automatic mode: Iris priority, Shutter priority
Automatic electronic shutter (ESC)	1/50 ~ 1/10,000sec.
Low speed shutter	yes
Low speed shutter	1/30sec. ~ 1sec. (to 2, 4, 8, 16, 32 and 60 Fps. selectable)

Specifications (continued)

Automatic gain control (AGC)	30dB max., ON/OFF switchable
Digital Noise Reduction (DNR)	yes
White balance	automatic (AWB) selectable for indoor and outdoor, or manual. Wide range auto mode (WAWB, 1800-10500K)
Backlight compensation	BLC
Backlight compensation	ON/OFF switchable with adjustable field size
Wide Dynamic Range (WDR)	no
IR cut filter	switchable
Video outputs	composite (CVBS)
Lens type	zoom
Lens	F1.6 / 3.9 - 85.8mm
Focal length	3,9 mm - 85,8 mm
e-PTZ support	no
Digital zoom	11x
Horizontal angle of view	50° - 2,46°
Iris control	DC, manual
Focus control	Automatic (manual override and programmable: 0.1m/1.0m/1.5m/2.5m/6.0m)
MOD (Minimum object distance)	1,0 m
MOD (Minimum Object Distance)	Wide angle (x1 to x4): 10cm Tele end (x5 to x22): 1.0m. Adjustable to 0.1m, 1.0mm, 1.5m, 2.5m and 6m
Filter screw size	M37x0.7mm
Illumination	no
OSD function control	D&N, AGC, BLC, AWB, Iris, MOD, PIP, Freeze, Digital zoom, Digital noise reduction (DNR) ON/OFF. Mirror, Enhanced Dynamic Range (WDR/EDR) and Shutter mode
Menu driven set-up	ON/OFF switchable
Text display	title, camera ID and status
Activity detection	no
Serial interfaces	RS-232, RS-485
Serial port	Fastrax-IIe, Pelco P&D protocols
External adjustments	Menu: ON/OFF Focus near/far Lens T/W LL phase (for AC models only)
External connections	video (BNC), power input, serial interface socket
Temperature range (operation)	-10°C - +45°C
Housing material	aluminium
Housing	outdoor
Integrated wall mount	yes
Hidden cable management	yes
Sunshield	yes
Window heater	yes
Colour (housing)	Pantone Cool Gray 1C
Vandalism resistant	no
Protection rating	IP66
Alarm inputs	no
Alarm outputs	no
Supply voltage	12VDC, 24VAC
Power consumption	9W



Specifications (continued)

Dimensions (HxWxD)	see drawing
Weight	approx. 1.4kg
Certificates	CE

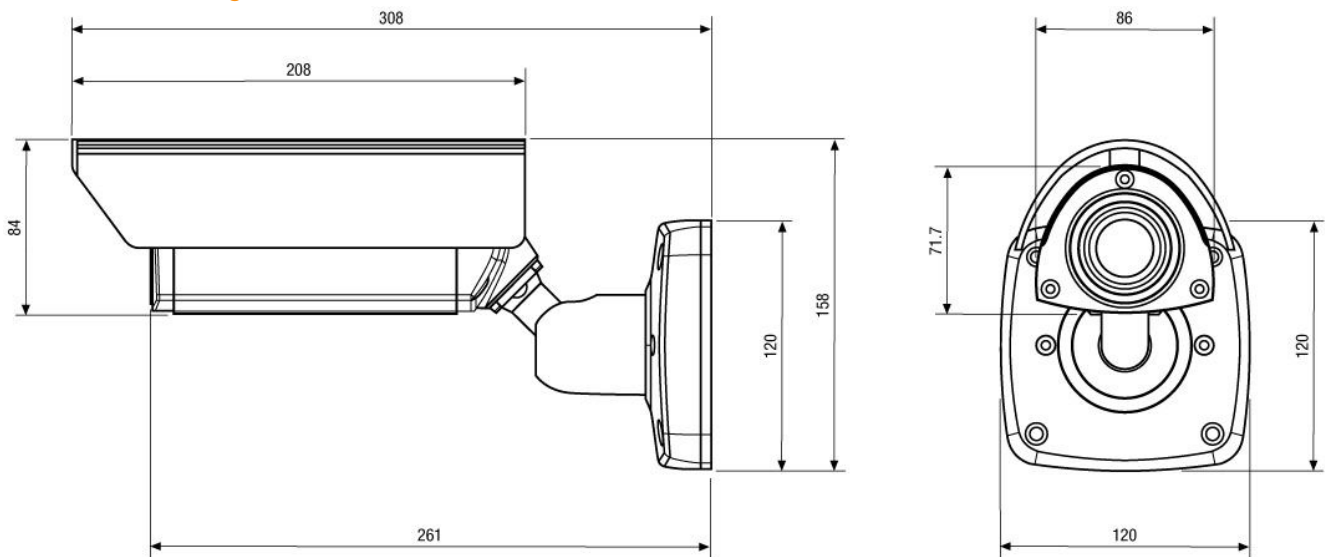
Optional Accessories

Image	Artikel-Nr. / Typ	Description
	WD-18	Wall Mount with Ball Joint, 1/4" Camera Fixing Screw, beige Grey
	VKCD-1410/KB	Remote Controller for VKCD-1410, VKC-1416(A/B) and NTC-4101
	VT-PS12DCDT1	PSU 12VDC/1.0A, Regulated, Desktop Version, 1.8m Cables each w. open ends
	EDC-KBD1	System Keyboard with 3-axis Joystick, 12VDC
	EDC-KBDM-3	System Keyboard w. Joystick, 5" Monitor 12VDC, Fastrax Protocol
	FASTRAX_CONFIG	Configuration Software for Eneo Fastrax, Minitrax Dome Cameras and VKC-1416

Optional Accessories (continued)

Image	Artikel-Nr. / Typ	Description
	VT-PS12DC-7	Plugable PSU w. Cont. & UK Mains plug-in 100-240VAC/12VDC-1.25A, Regulated
	VT-PS12DC-9	Plug-in Power Supply Unit 100-240VAC 12VDC (1.0Amp), Regulated, w. open Ends

Technical Drawing



Maße/Dimensions: mm



Your partner for eneo products:

