



VKC-1423

Article-No.: 92255

1/4" Camera, Colour, 18x, OSD,
DSS, 480TVL, 12VDC

Mainfeatures

Integral 18x AF zoom lens / 10x digital zoom
Sensitivity of 1.8Lux at F1.2 (colour)
Programmable backlight compensation (BLC)
Low speed shutter control up to 128 fields (DSS)
Automatic & manual white balance (AWB)

Resolution of 480 horizontal lines
On-screen menu control (OSD)
Automatic shutter control (ESC)
Automatic gain control (AGC)
Adjustable video transmission distance (3 steps)

Specifications

System	colour
Video standard	PAL
Sensor size	1/4"
Imager	CCD
Imager	1/4" Sony Super HAD Interline Transfer CCD
Active picture elements	440,000, 752(H) x 582(V)
Synchronization	internal
Signal-to-noise ratio	48dB
Horizontal resolution	480 TVL
Sensitivity (at 50% video signal)	1,8 Lux
Sensitivity (at 50% video signal)	(colour and B&W) at F1.2 (measured)
Manual electronic shutter (MES)	1/50 - 1/10,000sec. (8 steps)
Low speed shutter	yes
Low speed shutter	automatic, 2 ~ 128 Fps.
Automatic gain control (AGC)	supplied
Digital Noise Reduction (DNR)	no
White balance	automatic or manually

Specifications (continued)

Backlight compensation	BLC
Backlight compensation	automatic, ON/OFF switchable
Wide Dynamic Range (WDR)	no
Brightness	adjustment range: 0 ~ 48
Sharpness correction	adjustment range: 0 ~ 15
IR cut filter	standard
Video outputs	composite (CVBS)
Lens type	zoom
Lens	F1.6 ~ F64/3.6 ~ 64.8mm
Focal length	3,6 mm - 64,8 mm
e-PTZ support	no
Digital zoom	2x - 10x
Horizontal angle of view	48° - 2,8°
Iris control	DC, auto iris
Focus control	automatic and manual
MOD (Minimum object distance)	0,1 m
MOD (Minimum Object Distance)	Wide angle: 10cm Tele end: 1.0m
Illumination	no
Menu languages	English
OSD function control	Main menu: Camera-ID no. (up to 255), B&W switching, Sharpness, Positive/Negative switching. Focus: Autofocus ON/OFF, Zoom end positions. AWB: White balance Automatic/manual. Brightness, Shutter, BLC ON/OFF. Display: Menu ON/OFF. Initial: Camera settings ON/OFF
Menu driven set-up	ON/OFF switchable
Activity detection	no
Serial interfaces	RS-485
Serial port	(control S/W, interface protocols: Pelco D, further upon request)
External adjustments	Menu: ON/OFF Focus: Near/Far Zoom: T/W. Cable length compensation (3 steps)
External connections	Video (BNC), 12VDC Power input, 5 pin RS-485 Serial interface socket / ZF control
Temperature range (operation)	+5°C ~ +40°C
Housing material	plastic
Housing	indoor
Integrated wall mount	no
Hidden cable management	no
Sunshield	no
Window heater	no
Colour (housing)	silver grey
Vandalism resistant	no
Protection rating	n/a
Alarm inputs	-
Alarm outputs	-
Supply voltage	12VDC
Supply voltage	12VDC (10 ~ 15VDC), 12VDC ±0.5V recommended
Power consumption	4.7W max.
Dimensions (HxWxD)	see drawing

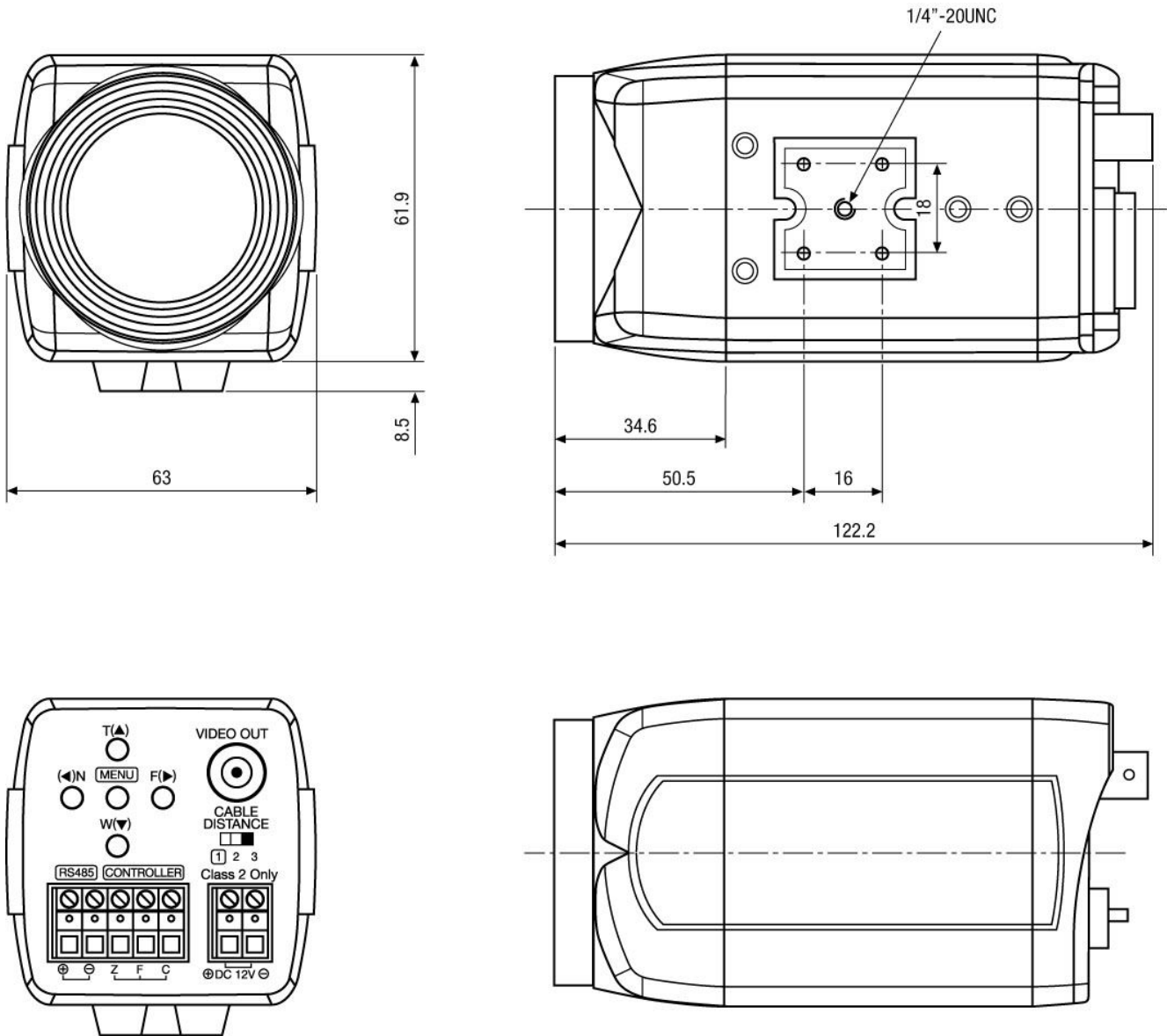
Specifications (continued)

Weight	approx. 330g
Parts supplied	Camera, Manual
Certificates	DGUV test certificate, CE

Optional Accessories

Image	Artikel-Nr. / Typ	Description
	WD-18	Wall Mount with Ball Joint, 1/4" Camera Fixing Screw, beige Grey
	WD-21/RAL9006	Wall Mount Bracket with Ball Joint, 1/4" Camera Fixing Screw, RAL9006
	WD-23	Wall Mount Bracket with Ball Joint, 1/4" Camera Fixing Screw, Pantone 877
	VT-PS12DC-9	Plug-in Power Supply Unit 100-240VAC 12VDC (1.0Amp), Regulated, w. open Ends
	VT-PS12DCDT1	PSU 12VDC/1.0A, Regulated, Desktop Version, 1.8m Cables each w. open ends
	VT-PS12DC-7	Plugable PSU w. Cont. & UK Mains plug-in 100-240VAC/12VDC-1.25A, Regulated

Technical Drawing



Maße/Dimensions: mm



Your partner for eneo products:

