



## VKC-1362/12V

Article-No.: 92257

1/3" Day&Night Camera, 540TVL,  
12VDC

### Mainfeatures

1/3" Super HAD Colour CCD Sensor  
Sensitivity of 0.25Lux at F1.2  
High Speed Shutter Control (ESC)  
Automatic White Balance (AWB)  
Flickerless Adjustment  
CS Mount

Horizontal Resolution of 540 TV Lines  
Automatic Gain Control (AGC)  
Backlight Compensation (BLC)  
Aperture Correction (APC)  
Auto Iris and DC Iris Control  
Supply Voltage: 12VDC



### Specifications

System	day&night
Video standard	CCIR/PAL
Sensor size	1/3"
Imager	CCD
Imager	Sony Super HAD Interline Transfer
Active picture elements	470,000, 795(H) x 596(V)
Horizontal resolution	540 TVL
Horizontal resolution	(colour) 520 TV lines (B&W)
Synchronization	internal
Signal-to-noise ratio	50dB (AGC OFF)
Gamma correction	0.45
Sensitivity (at 50% video signal)	0,2 Lux
Sensitivity (at 50% video signal)	(colour) at F1.2 (measured)
Automatic electronic shutter (ESC)	1/50 ~ 1/100,000sec.
Manual electronic shutter (MES)	no
Low speed shutter	no

## Specifications (continued)

Digital Noise Reduction (DNR)	no
Backlight compensation	BLC
Backlight compensation	ON/OFF switchable
Wide Dynamic Range (WDR)	no
White balance	automatic (2000K - 8000K)
Aperture Correction (APC)	horizontal and vertical
Flickerless function	On/Off switchable
IR cut filter	OLPF (Overlay Low Pass Filter)
Digital zoom	no
Lens mount	CS mount
Iris control	Manual/DC controlled iris
Illumination	no
External adjustments	Day&Night: Auto/Colour. AGC, ESC, BLC, Flickerless ON/OFF. Level control for DC controlled iris, Flange focus
Video outputs	composite (CVBS)
Video outputs	1Vp-p, (C)VBS, 75ohms, BNC
External connections	DC-Iris (4 pin), Video (BNC), 12VDC input (2 pin screw connection)
Serial interfaces	no
Camera mount	1/4" - 20 UNC thread on top and bottom
Supply voltage	12VDC
Power consumption	1.8W
Housing	indoor
Colour	Pantone 877C, Side wings: Pantone Cool Gray 11C
Temperature range (operation)	-10°C - +50°C
Dimensions (HxWxD)	see drawing
Weight	300g
Parts supplied	Camera, C/CS Mount ring, 4-pin lens plug, Manual
Certificates	CE

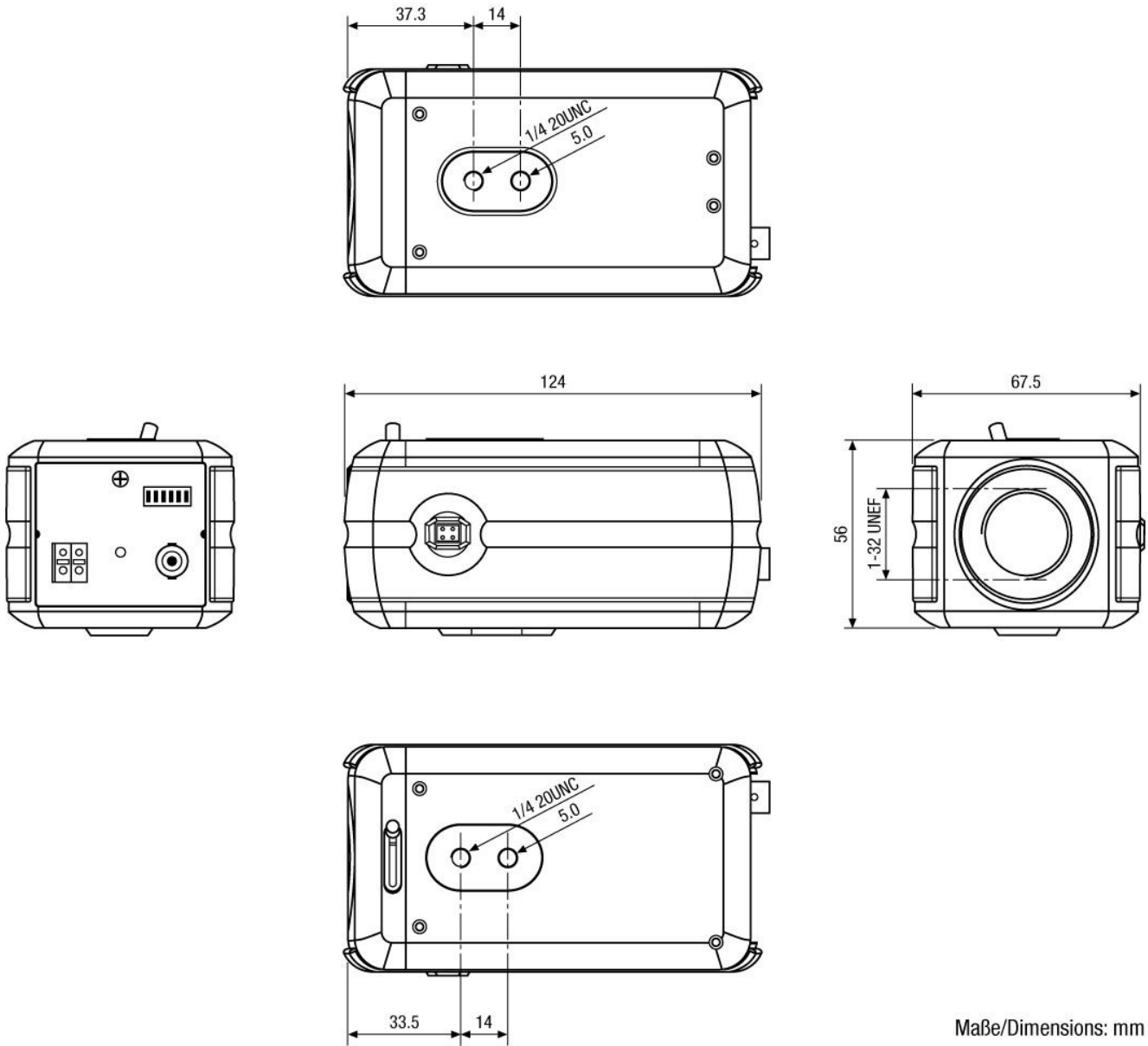
## Optional Accessories

Image	Artikel-Nr. / Typ	Description
	WD-23	Wall Mount Bracket with Ball Joint, 1/4" Camera Fixing Screw, Pantone 877
	WD-22	Wall Mount Bracket with Ball Joint, 1/4" Camera Fixing Screw, Beige Grey

## Optional Accessories (continued)

Image	Artikel-Nr. / Typ	Description
	WD-13-WA	Ceiling Mount with Ball Joint, 1/4" Camera Fixing Screw, RAL9006
	WD-13/E-WA	Ceiling Mount w. Ball Joint, extendable 1/4" Camera Fixing Screw, RAL9006
	VT-PS12DC-9	Plug-in Power Supply Unit 100-240VAC 12VDC (1.0Amp), Regulated, w. open Ends
	VT-PS12DCDT1	PSU 12VDC/1.0A, Regulated, Desktop Version, 1.8m Cables each w. open ends
	VT-PS12DC-7	Plugable PSU w. Cont. & UK Mains plug-in 100-240VAC/12VDC-1.25A, Regulated

## Technical Drawing



Maße/Dimensions: mm



Your partner for eneo products:

