



## VKC-1363

Article-No.: 92261

1/3" Day&Night Camera, WDR,  
DSS, 580TVL, 230VAC, UTP

### Mainfeatures

1/3" Super HAD Colour/B&W CCD Sensor  
Wide Dynamic Range (WDR)  
Selectable Backlight Compensation Zones (BLC)  
On-screen Menu Control / Camera Title Display  
Picture Sharpness and Flickerless Adjustment  
Coaxial and UTP Video Output

Sensitivity of 0.5Lux at F1.2 (Colour)  
Automatic Gain Control (AGC)  
High and Low Speed Shutter Control (ESC/DSS)  
Privacy Masking/Mirror Function/Motion Detection  
External Day/Night Selection / RS-485 Interface  
CS Mount / Supply Voltage: 230VAC

### Specifications

System	day&night
Video standard	CCIR/PAL
Sensor size	1/3"
Imager	CCD
Imager	Sony Super HAD Interline Transfer
Active picture elements	470,000, 795(H) x 596(V)
Horizontal resolution	580 TVL
Synchronization	Internal/AC line lock
Signal-to-noise ratio	50dB (AGC OFF)
Gamma correction	0.45
Sensitivity (at 50% video signal)	0.5Lux at F1.2 (colour); 0.3Lux at F1.2 (B&W). Videor measurement result
Automatic electronic shutter (ESC)	1/50 - 1/100,000sec. (ON/OFF switchable)
Manual electronic shutter (MES)	1/50 - 1/100,000sec.
Low speed shutter	yes
Low speed shutter	Automatic, 2 - 256 Fps., ON/OFF switchable

## Specifications (continued)

Digital Noise Reduction (DNR)	no
Backlight compensation	BLC
Backlight compensation	center/left/right/top/bottom and OFF
Wide Dynamic Range (WDR)	yes
White balance	automatic (AWB/ATW) selectable for indoor and outdoor, or manual
Aperture Correction (APC)	horizontal and vertical
Flickerless function	1/120sec., On/Off switchable
IR cut filter	switchable
Day/Night switching	By external contact closure
Privacy zones masking	ON/OFF switchable
OSD function control	Colour/B&W, AGC, Mirror (hor.), Positive/Negative. B&W External ON/OFF, BLC, White balance, AI/DC Iris, ESC, Colour rolling ON/OFF, Privacy zones ON/OFF, Camera ID, Default/Preset
Text display	title, camera ID and status
Motion detector	4 zones, ON/OFF switchable
Digital zoom	2x
Lens mount	CS mount
Iris control	Manual iris, Auto-Iris/DC controlled
Auto exposure	Automatic/Manual Shutter/AGC
External adjustments	Menu, Cursor Up/Down/Left/Right, Video output selection Standard/Twisted-pair, Flange focus
Video outputs	composite (CVBS)
Video outputs	1.0Vp-p, (C)VBS, 75ohms. 1.0Vp-p, 124ohms (symmetrical)
External connections	Video (BNC), (4 pin), Twisted-pair video (2 pin), AI/DC lens control (4 pin), Serial interface RS-485, D&N external I/O, Alarm output. Power input (2 pin)
Serial interfaces	RS-485
Camera mount	1/4" - 20 UNC thread on top and bottom
Supply voltage	100~240VAC
Power consumption	7W
Colour	Pantone 877C, Side wings: Pantone Cool Gray 11C
Protection rating	IP40
Temperature range (operation)	-10°C ~ +50°C
Dimensions (HxWxD)	see drawing
Weight	310g
Parts supplied	4-pin plug, C/CS mount ring
Certificates	CE

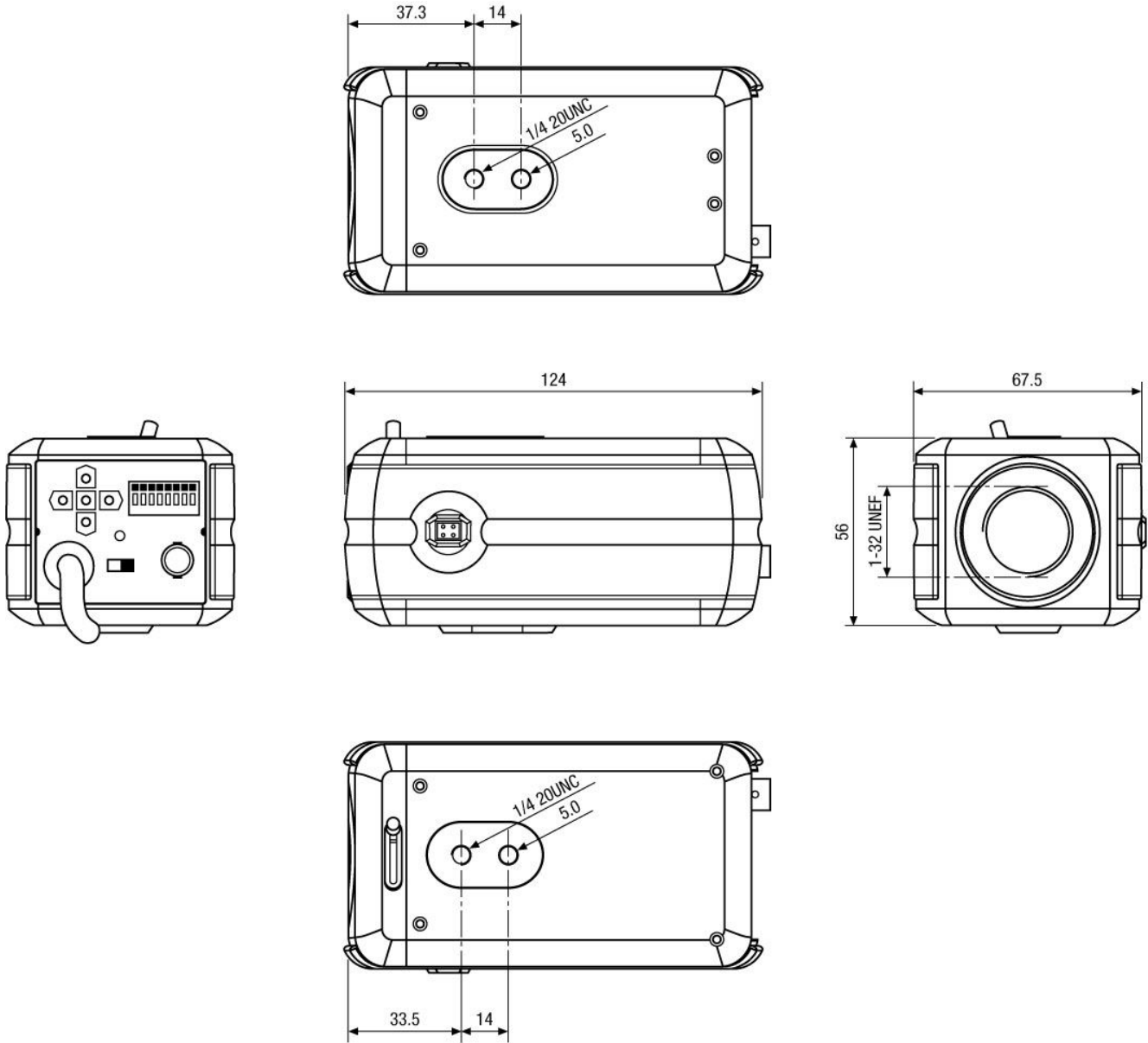
## Optional Accessories

Image	Artikel-Nr. / Typ	Description
	WD-23	Wall Mount Bracket with Ball Joint, 1/4" Camera Fixing Screw, Pantone 877
	WD-22	Wall Mount Bracket with Ball Joint, 1/4" Camera Fixing Screw, Beige Grey
	YV5X2.7R4B-SA2L	F1.3/2.7-13.5mm DC Varifocal Lens, No Focus Shift, 1/3" CS Mount
	F03Z2.710DC-NFS	F1.0/3-8mm DC Lens/var. Focal Length with No Focus Shift, 1/3" CS Mount
	G04Z03NDDC-NFS	F1.2/4.5-12.5mm DC Lens/variable Focal Length, No Focus Shift, 1/2" CS Mount
	YV10X5HR4A-SA2L	F1.6/5-50mm Megapixel DC Lens, 1/3", Varifocal, No Focus Shift, CS Mount
	F07Z07NDDC-NFS	F1.3/7.5-50mm DC Lens/var. Focal Length with No Focus Shift, 1/3" CS Mount

## Optional Accessories (continued)

Image	Artikel-Nr. / Typ	Description
	A10Z04NDDC-NFS	F1.4/10-40mm DC Lens/var. Focal Length with No Focus Shift, 1/2" C Mount
	VT-PS12DC-7	Plugable PSU w. Cont. & UK Mains plug-in 100-240VAC/12VDC-1.25A, Regulated
	VT-PS12DC-9	Plug-in Power Supply Unit 100-240VAC 12VDC (1.0Amp), Regulated, w. open Ends
	VT-PS12DCDT1	PSU 12VDC/1.0A, Regulated, Desktop Version, 1.8m Cables each w. open ends
	WD-13-WA	Ceiling Mount with Ball Joint, 1/4" Camera Fixing Screw, RAL9006
	WD-13/E-WA	Ceiling Mount w. Ball Joint, extendable 1/4" Camera Fixing Screw, RAL9006

## Technical Drawing





Your partner for eneo products:

