



VKCD-1327WSM/MF

Article-No.: 92291

1/3" Mini Dome, Fixed,
Day&Night, clear, 3.7mm,
540TVL, 12VDC, White

Mainfeatures

For wall and surface mounting
1/3" colour/b&w board camera with Super HAD CCD
Resolution of 540 horizontal lines
Digital signal processing (DSP)
Automatic white balance (ATW)
Clear Lexan bubble, 57mm

Vandal resistant
Integrated lens F2.0/3.7mm
High speed shutter control (ESC)
Backlight compensation (BLC)
White aluminium die-cast casing
For easy indoor and outdoor installation (IP66)


Specifications

System	day&night
Video standard	PAL
Sensor size	1/3"
Imager	CCD
Imager	Sony Super HAD Interline Transfer
Active picture elements	440,000, 752(H) x 582(V)
Horizontal resolution	540 TVL
Synchronization	internal
Signal-to-noise ratio	46db (AGC OFF)
Gamma correction	approx. 0.45
Sensitivity (at 50% video signal)	0,06 Lux
Sensitivity (at 50% video signal)	(colour) at F1.2 (measured)
Automatic gain control (AGC)	supplied
Automatic electronic shutter (ESC)	1/50 ~ 1/100,000sec.
Low speed shutter	no
Digital Noise Reduction (DNR)	no

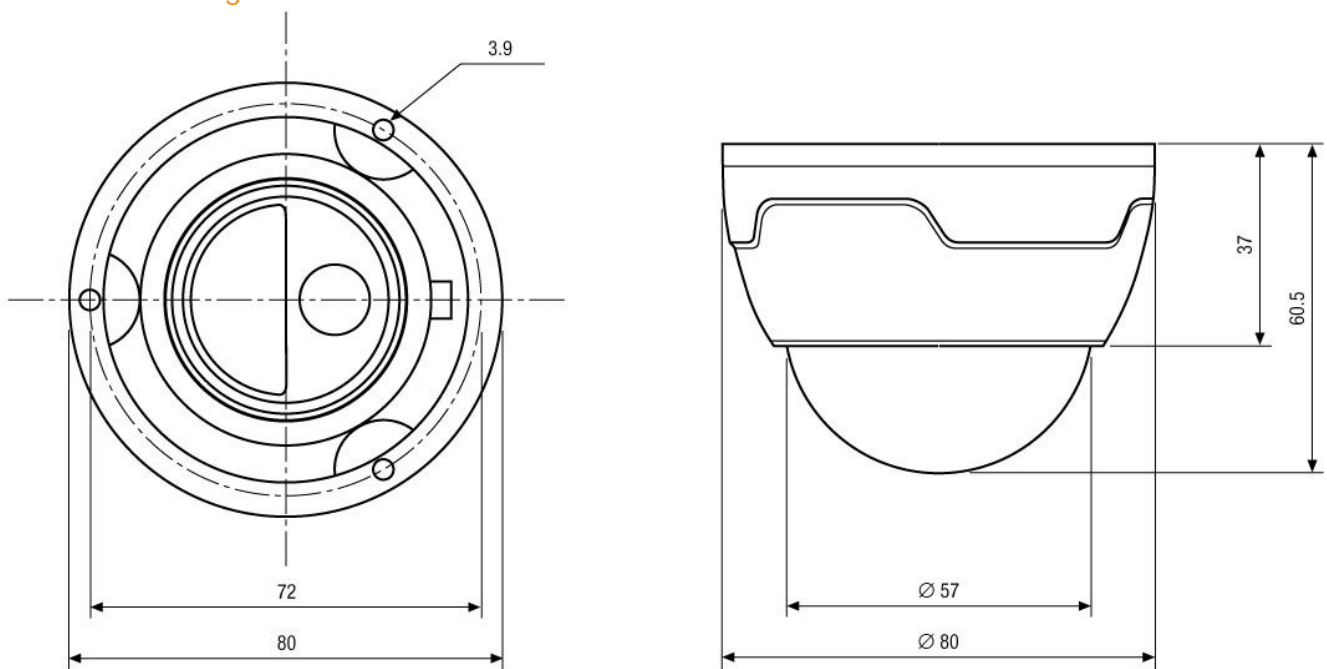
Specifications (continued)

Backlight compensation	BLC
Wide Dynamic Range (WDR)	no
Aperture Correction (APC)	horizontal and vertical
IR cut filter	OLPF (Overlay Low Pass Filter)
Activity detection	no
Digital zoom	no
Lens type	fixed focal length
Focal length	3,7 mm
Horizontal angle of view	67°
MOD (Minimum object distance)	0,1 m
Video outputs	composite (CVBS)
Video outputs	1Vp-p, (C)VBS, 75ohms, BNC
Alarm inputs	no
Alarm outputs	no
e-PTZ support	no
Rotation range	359°
Illumination	no
Illumination	not implemented
Serial interfaces	no
Housing	outdoor
Housing material	aluminium
Bubble	57mm (2.25"), polycarbonate plastic
Colour (bubble)	clear
Colour (housing)	white
Heater	no
Mounting	ceiling mount, wall mount
Supply voltage	12VDC
Supply voltage	12VDC (10 ~ 15VDC), 12VDC ±0.5V recommended
Power consumption	4W max.
Temperature range (operation)	-10°C ~ +50°C
Protection rating	IP66
Vandalism resistant	yes
Dimensions (HxWxD)	see drawing
Weight	210g
Parts supplied	Camera, Manual
Certificates	CE

Optional Accessories

Image	Artikel-Nr. / Typ	Description
	VT-PS12DC-8	Plug-in Power Supply Unit 100-240VAC 12VDC (1.0Amp), Regulated, with DC Plug

Technical Drawing



Maße/Dimensions: mm



Your partner for eneo products:

