



VKC-1362/12-24

Article-No.: 92304

1/3" Day&Night Camera, 540TVL,
12VDC/24VAC

Mainfeatures

1/3" Super HAD Colour CCD Sensor
Sensitivity of 0.25Lux at F1.2
High Speed Shutter Control (ESC)
Automatic White Balance (AWB)
Flickerless Adjustment
CS Mount

Horizontal Resolution of 540 TV Lines
Automatic Gain Control (AGC)
Backlight Compensation (BLC)
Aperture Correction (APC)
Auto Iris and DC Iris Control
Supply Voltage: 12VDC or 24VAC



Specifications

System	day&night
Video standard	CCIR/PAL
Sensor size	1/3"
Imager	CCD
Imager	Sony Super HAD Interline Transfer
Active picture elements	470,000, 795(H) x 596(V)
Horizontal resolution	540 TVL
Synchronization	internal
Signal-to-noise ratio	50dB (AGC OFF)
Gamma correction	0.45
Sensitivity (at 50% video signal)	0,2 Lux
Sensitivity (at 50% video signal)	(colour) at F1.2 (measured)
Automatic electronic shutter (ESC)	1/50 ~ 1/100,000sec.
Low speed shutter	no
Digital Noise Reduction (DNR)	no
Backlight compensation	BLC

Specifications (continued)

Backlight compensation	ON/OFF switchable
Wide Dynamic Range (WDR)	no
White balance	automatic (2500K - 8000K)
Aperture Correction (APC)	horizontal and vertical
Flickerless function	On/Off switchable
IR cut filter	OLPF (Overlay Low Pass Filter)
Digital zoom	no
e-PTZ support	no
Lens mount	CS mount
Iris control	Manual/DC controlled iris
Illumination	no
External adjustments	Day&Night: Auto/Colour. AGC, ESC, BLC, Flickerless ON/OFF. Level control for DC controlled iris, Flange focus composite (CVBS)
Video outputs	1Vp-p, (C)VBS, 75ohms, BNC
Video outputs	DC-Iris (4 pin), Video (BNC), 12VDC/24VAC input (2 pin screw connection)
External connections	no
Serial interfaces	1/4" - 20 UNC thread on top and bottom
Camera mount	no
Alarm inputs	-
Alarm outputs	12VDC, 24VAC
Supply voltage	4.0W
Power consumption	indoor
Housing	Pantone 877C, Side wings: Pantone Cool Gray 11C
Colour	no
Hidden cable management	no
Vandalism resistant	-10°C ~ +50°C
Temperature range (operation)	see drawing
Dimensions (HxWxD)	260g
Weight	Camera, C/CS Mount ring, 4-pin lens plug, Manual
Parts supplied	CE
Certificates	

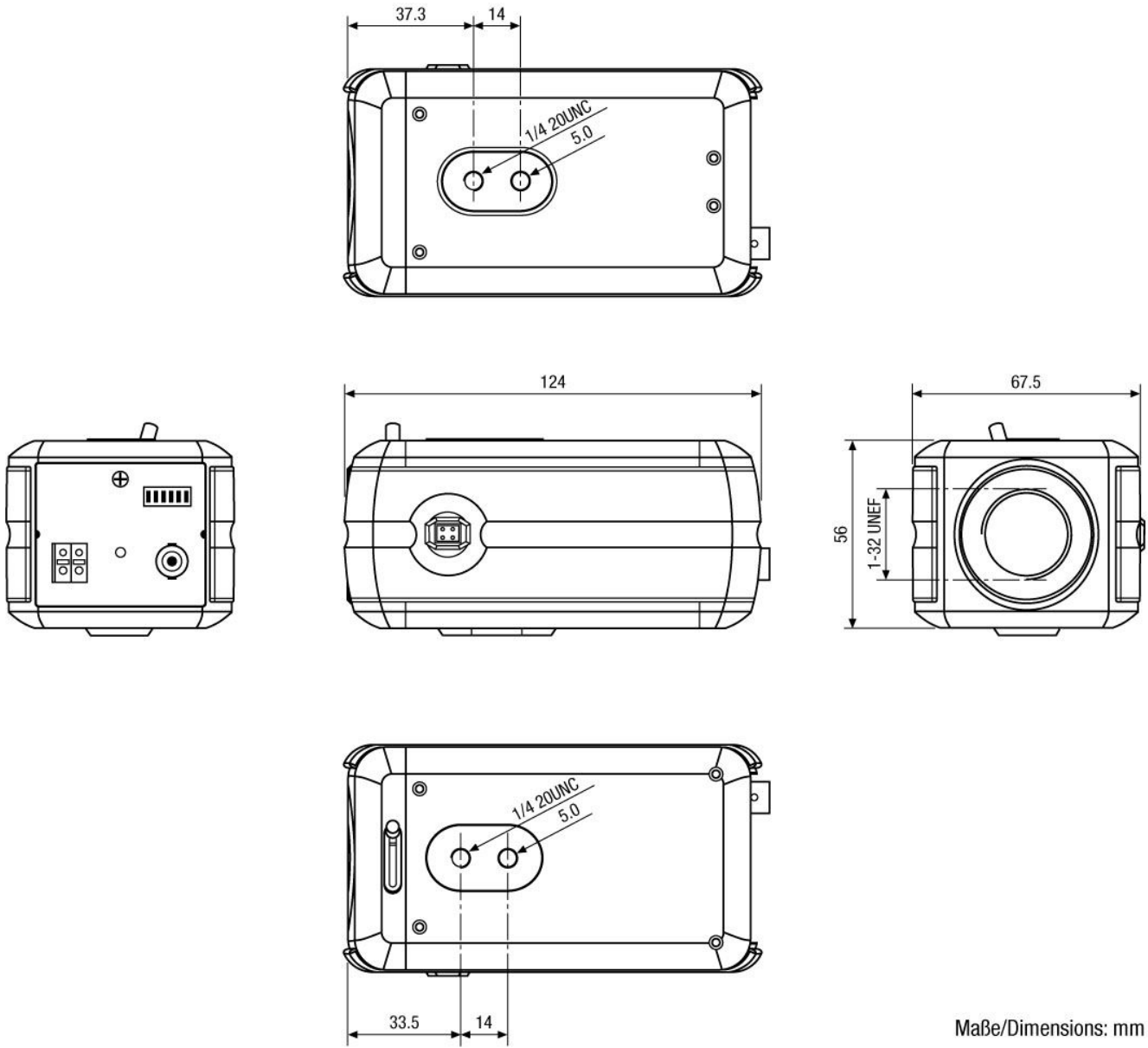
Optional Accessories

Image	Artikel-Nr. / Typ	Description
	WD-23	Wall Mount Bracket with Ball Joint, 1/4" Camera Fixing Screw, Pantone 877
	WD-22	Wall Mount Bracket with Ball Joint, 1/4" Camera Fixing Screw, Beige Grey

Optional Accessories (continued)

Image	Artikel-Nr. / Typ	Description
	WD-13-WA	Ceiling Mount with Ball Joint, 1/4" Camera Fixing Screw, RAL9006
	WD-13/E-WA	Ceiling Mount w. Ball Joint, extendable 1/4" Camera Fixing Screw, RAL9006
	VT-PS12DC-9	Plug-in Power Supply Unit 100-240VAC 12VDC (1.0Amp), Regulated, w. open Ends
	VT-PS12DC-7	Plugable PSU w. Cont. & UK Mains plug-in 100-240VAC/12VDC-1.25A, Regulated
	VT-PS12DCDT1	PSU 12VDC/1.0A, Regulated, Desktop Version, 1.8m Cables each w. open ends

Technical Drawing



Maße/Dimensions: mm



Your partner for eneo products:

