



VKC-1348/CM2

Article-No.: 92322

1/3" Camera, Day&Night,
F1.2/3.8-9.5mm, 540TVL, Corner
Mount Housing, 12VDC

Mainfeatures

1/3" Sony Super HAD CCD
Built-in DC iris lens F1.2/3.8-9.5mm
Automatic shutter control (AES)
Backlight compensation (BLC)
Supply voltage: 12VDC
Protection rating: IP66

Sensitivity of 0.25Lux (at F1.2) at b&w
Removable IR cut filter
Automatic gain control (AGC)
Automatic white balance (AWB)
Vandal & tamper resistant housing
For wall, corner & ceiling mount / Indoor&outdoor


Specifications

System	day&night
Video standard	PAL
Sensor size	1/3"
Imager	CCD
Imager	Sony Super HAD Interline Transfer
Synchronization	internal
Signal-to-noise ratio	48dB
Horizontal resolution	540 TVL
Sensitivity (at 50% video signal)	0,25 Lux
Sensitivity (at 50% video signal)	(B&W) at F1.2
Automatic electronic shutter (ESC)	1/50 - 1/100,000sec.
Low speed shutter	no
Automatic gain control (AGC)	28dB (AGC OFF)
Digital Noise Reduction (DNR)	no
White balance	automatic (2000K - 8000K)
Backlight compensation	BLC

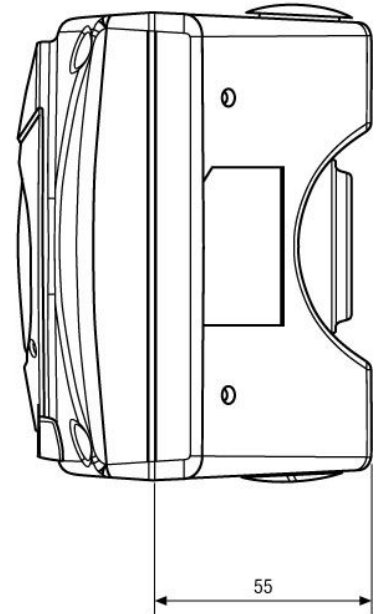
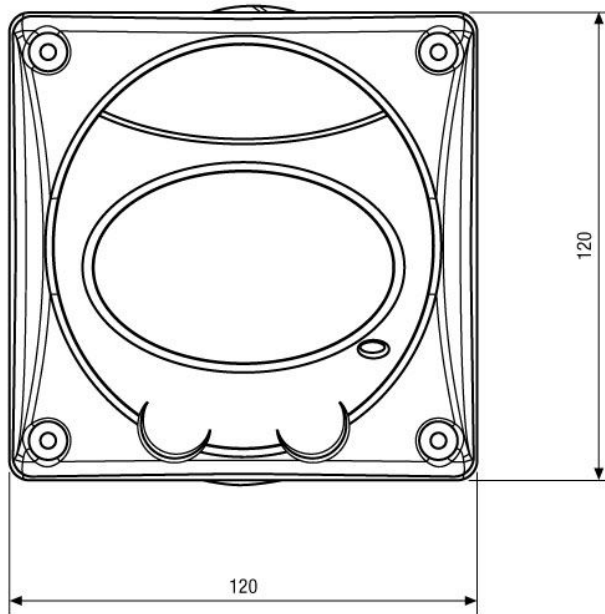
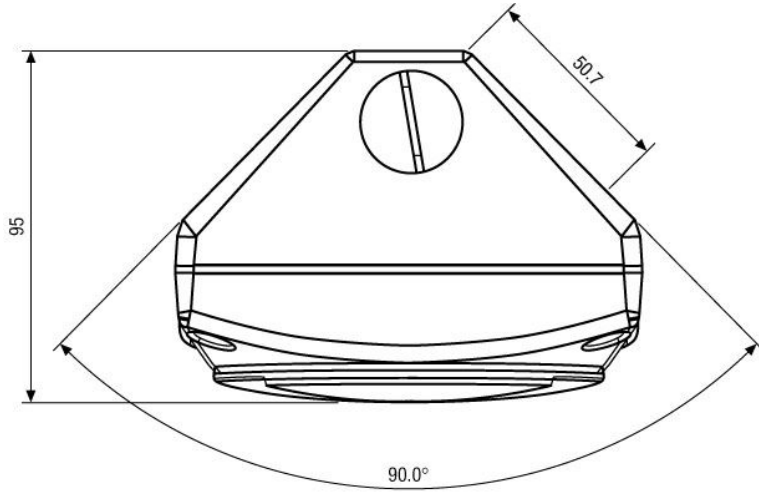
Specifications (continued)

Backlight compensation	center weighted
Wide Dynamic Range (WDR)	no
IR cut filter	switchable
Internal adjustments	-
Video outputs	composite (CVBS)
Lens type	varifocal
Lens	F1.2/F2.0 - 360/3.8 - 9.5mm with galvanometer controlled iris
Focal length	3,8 mm - 9,5 mm
e-PTZ support	no
Digital zoom	no
Horizontal angle of view	74,2° - 30°
Iris control	DC
MOD (Minimum object distance)	0,15 m
Illumination	no
Activity detection	no
Serial interfaces	no
External connections	Wiring for video and voltage supply made, accessible from outside (1.5m long, Video: BNC jack 12V input: for DC plug 2.1/5.5mm)
Temperature range (operation)	-10°C - +50°C
Housing material	aluminium
Housing	outdoor
Integrated wall mount	-
Hidden cable management	no
Window screen	PC (Lexan)
Sunshield	no
Window heater	no
Colour (housing)	Pantone Cool Gray 1C
Vandalism resistant	no
Protection rating	IP66
Alarm inputs	-
Alarm outputs	-
Supply voltage	12VDC
Supply voltage	(9 ~ 18VDC, 12VDC +/-20% recommended)
Power consumption	3.0W
Dimensions (HxWxD)	see drawing
Weight	800g
Parts supplied	Camera, Tamper resistant Torx key, Mounting screw set, Heat shrink tube, Manual
Certificates	CE

Optional Accessories

Image	Artikel-Nr. / Typ	Description
	VT-PS12DC-8	Plug-in Power Supply Unit 100-240VAC 12VDC (1.0Amp), Regulated, with DC Plug

Technical Drawing



Maße/Dimensions: mm



Your partner for eneo products:

