



VKC-1364/IR-6

Article-No.: 92329

1/3" Day&Night Camera,
F2.0/6mm, 850nm IR
Illumination, 550TVL, 12VDC

Mainfeatures

Weatherproof CCD Colour/B&W Camera
Sensitivity of 0.22Lux at F1.2 (Colour)
12x of Integrated 850nm IR LED's and Sensor
Automatic Shutter Control (ESC)
Supply Voltage: 12VDC
Protection Rating: IP67

1/3" Super HAD CCD Sensor
B&W Display at Night Time and IR LED Illumination
Approx. 15m Illumination Range
Automatic White Balance (AWB)
Aluminium Housing with Sunshield
Mounting Stand with Swivel Head




Specifications

System	day&night
Sensor size	1/3"
Imager	CCD
Imager	Sony Super HAD Interline Transfer
Active picture elements	440,000 (H) 752 x (V) 582
Synchronization	internal
Signal-to-noise ratio	45db (AGC Off)
Gamma correction	0.45
Horizontal resolution	550 TVL
Sensitivity (at 50% video signal)	0.22Lux at F1.2 (colour); 0Lux at IR illumination
Automatic electronic shutter (ESC)	1/50 - 1/100,000sec.
Low speed shutter	no
Automatic gain control (AGC)	yes
Digital Noise Reduction (DNR)	no
White balance	automatic
Backlight compensation	BLC

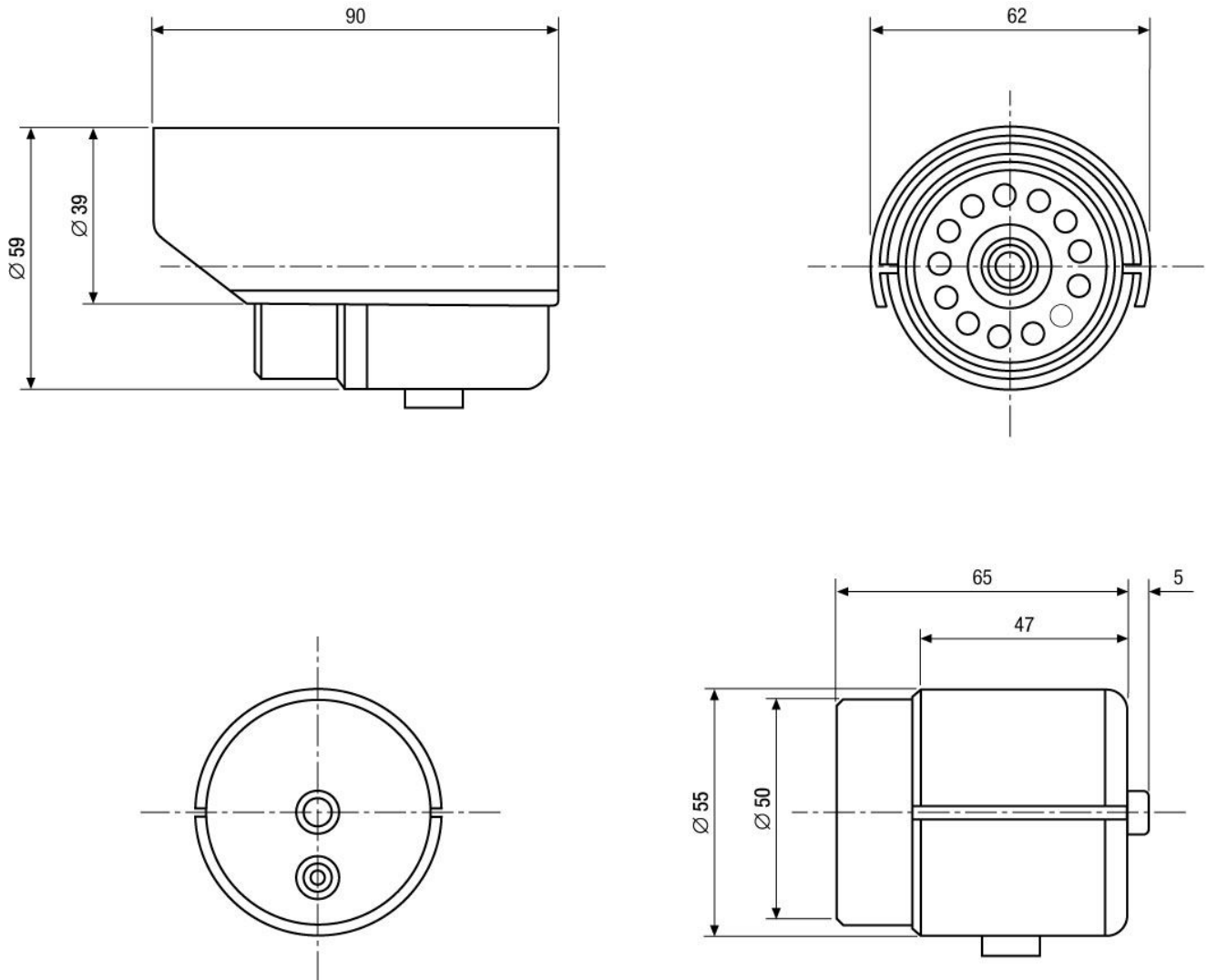
Specifications (continued)

Wide Dynamic Range (WDR)	no
Aperture Correction (APC)	horizontal and vertical
IR cut filter	OLPF (Overlay Low Pass Filter)
Internal adjustments	-
Video outputs	composite (CVBS)
Lens type	fixed focal length
Lens	F2.0/6mm (fixed iris)
Focal length	6 mm
Horizontal angle of view	44°
Iris control	no
MOD (Minimum object distance)	0,2 m
Illumination	infrared
Illumination	12x LED's, due to an integrated light sensor the LED illumination will be switched ON/OFF, depending from environmental illumination conditions
Illumination range	approx. 15m (at a good light reflexion and 40% Videosignal)
Serial interfaces	no
External connections	Video (BNC), 12VDC (DC socket)
Kind of mounting	1/4"-20 thread on rear side
Temperature range (operation)	-10°C ~ +50°C
Housing material	aluminium
Housing	outdoor
Integrated wall mount	no
Hidden cable management	no
Window screen	coated plastic for outdoor use, clear window section for the lens
Sunshield	yes
Window heater	no
Colour (housing)	silver grey
Protection rating	IP67
Supply voltage	12VDC
Supply voltage	(+/-10%)
Power consumption	3W
Weight	310g (incl. stand)
Remarks	Lens fitted for Day&Night application
Certificates	CE

Optional Accessories

Image	Artikel-Nr. / Typ	Description
	VT-PS12DC-8	Plug-in Power Supply Unit 100-240VAC 12VDC (1.0Amp), Regulated, with DC Plug
	VT-PS12DCDT1	PSU 12VDC/1.0A, Regulated, Desktop Version, 1.8m Cables each w. open ends
	VT-PS12DC-7	Plugable PSU w. Cont. & UK Mains plug-in 100-240VAC/12VDC-1.25A, Regulated

Technical Drawing



Maße/Dimensions: mm



Your partner for eneo products:

