



## VKC-1321

Article-No.: 92465

1/3" Colour Camera DSP,  
12VDC/24VAC, 480TVL

### Mainfeatures

Resolution of 480 Horizontal Lines  
High Sensitivity of 1.0Lux (at F1.2)  
Electronic Shutter Control (ESC)  
Horizontal and Vertical Aperture Correction (APC)  
Automatic White Balance with Hold Function (AWB)  
CS Mount

Automatic Gain Control (AGC)  
Back Light Compensation (BLC)  
Automatic AI/DC Control Selection (Depend on Lens)  
Integrated Eclipse and Flickerless Function  
Internal and Line Lock Synchronization  
Supply Voltage: 12VDC/24VAC




### Specifications

System	colour
Video standard	PAL
Sensor size	1/3"
Imager	CCD
Imager	1/3" Sharp Interline Transfer CCD
Active picture elements	440,000, 752(H) x 582(V)
Horizontal resolution	480 TVL
Synchronization	Internal/AC line lock
Signal-to-noise ratio	48dB (AGC OFF)
Gamma correction	0.6/1.0
Sensitivity (at 50% video signal)	1,0 Lux
Sensitivity (at 50% video signal)	at F1.2 (measured)
Low speed shutter	no
Digital Noise Reduction (DNR)	no
Backlight compensation	BLC, eclipser
Wide Dynamic Range (WDR)	no



## Specifications (continued)

White balance	Auto/Hold
Aperture Correction (APC)	horizontal and vertical
Flickerless function	ON/OFF switchable
Lens mount	CS mount
Iris control	Manual iris, Auto-Iris/DC controlled
External adjustments	Level control for DC iris lens Flange focus Dip switches for: Eclipser function, AGC, BLC, ESC, Flickerless ON/OFF White balance/Hold Synchronisation, Gamma Correction Phase adjustment
Video outputs	composite (CVBS)
Video outputs	1Vp-p, 75ohms, BNC
External connections	DC Iris control (4 pin), Video (BNC), Power input
Serial interfaces	no
Camera mount	1/4" - 20 UNC thread on top and bottom
Supply voltage	12VDC, 24VAC
Power consumption	approx. 4.6W (at 12VDC)
Colour	Pantone Cool Gray 1C
Temperature range (operation)	-10°C ~ +50°C
Dimensions (HxWxD)	see drawing
Weight	200g
Parts supplied	4-pin plug, Allan key, Manual on CD ROM
Certificates	CE

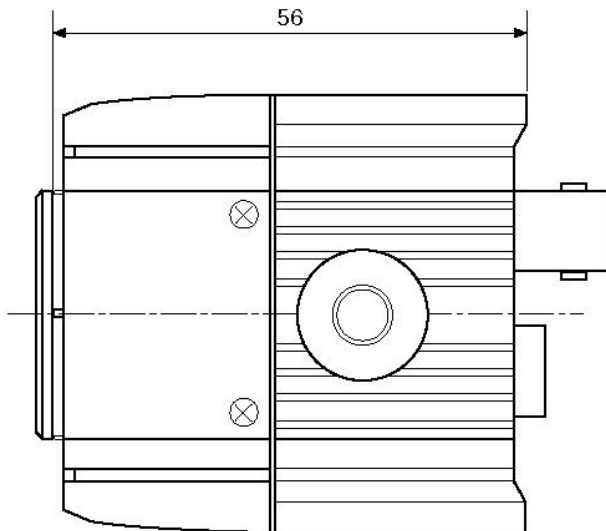
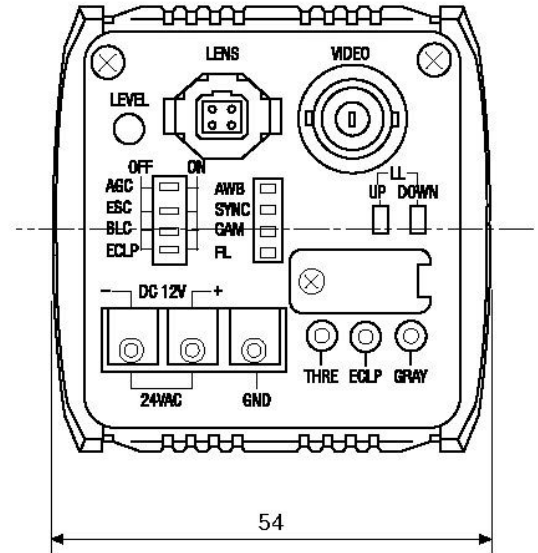
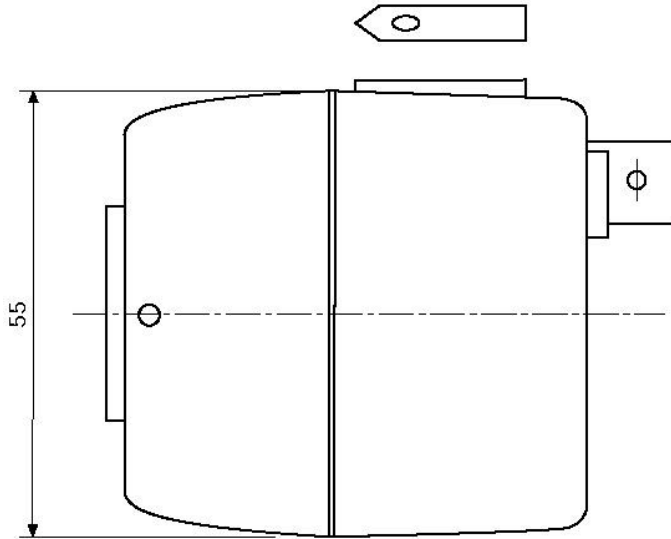
## Optional Accessories

Image	Artikel-Nr. / Typ	Description
	WD-22	Wall Mount Bracket with Ball Joint, 1/4" Camera Fixing Screw, Beige Grey
	VT-PS12DCDT1	PSU 12VDC/1.0A, Regulated, Desktop Version, 1.8m Cables each w. open ends
	C/CS RING-AL	Adapter Ring, C/CS Mount, Aluminium anodized

## Optional Accessories (continued)

Image	Artikel-Nr. / Typ	Description
	VT-PS12DC-7	Plugable PSU w. Cont. & UK Mains plug-in 100-240VAC/12VDC-1.25A, Regulated
	VT-PS12DC-9	Plug-in Power Supply Unit 100-240VAC 12VDC (1.0Amp), Regulated, w. open Ends

## Technical Drawing



Maße/Dimensions: mm



Your partner for eneo products:

